

3.4 Exploded view drawing



1
4

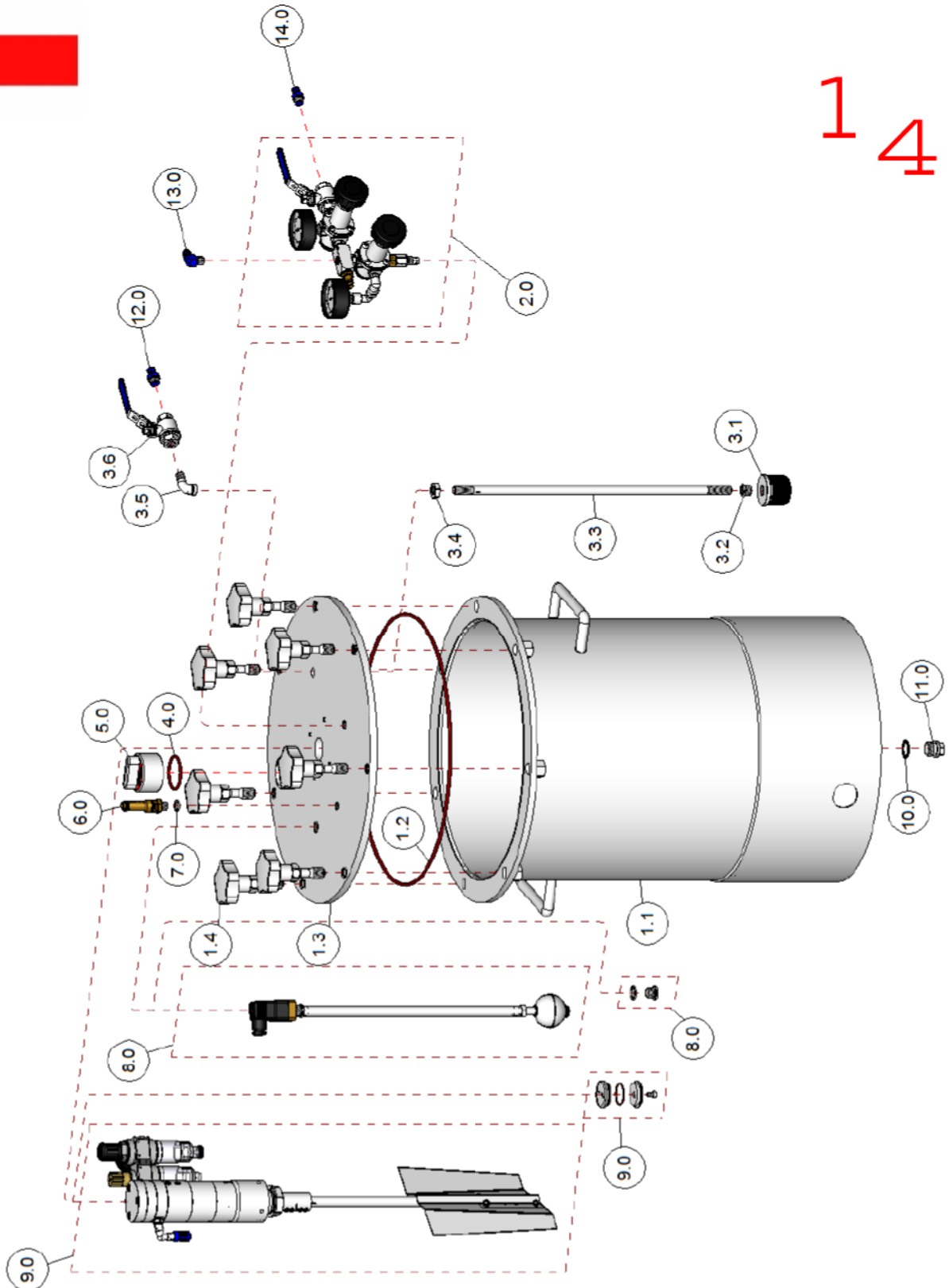


Fig. 3.4/1



3.5 Spare parts list

Drg. no.	Item no.	Qty	Description
1.0	350679	1	Pressure vessel V40, complete, stainless steel
1.1	**	1	Pressure vessel V40, stainless steel
1.2	640788	1	O-ring 410 x 5 mm/Viton®
1.3	**	1	Cover for pressure tank V40 ES, standard
1.4	610657	7	Star grip M16x41 / V20/30/40
2.0	*	1	Compressed air fittings V40
3.0	500467	1	Material outflow V30/V40, 1/4" internal thread ¹
3.1	530046	1	Filter, 3/8" internal thread, dia. 50, height 40 mm
3.2	220161	1	Screw-in reducing nipple, G 3/8" ext. thread – G 1/4" int. thread
3.3	852371	1	Riser pipe, stainless steel, 450 mm
3.4	410104	1	Lock nut 1/4", stainless steel
3.5	220218	1	Elbow piece 1/4", external/internal thread, stainless steel
3.6	380016	1	Ball valve, stainless steel, 1/4" internal thread
4.0	640042	1	O-ring 47.22 x 3.53/Viton®
5.0	350141	1	Cover dia. 59 x 50 mm, with rotary bar, chemically nickel-plated
6.0	630002	1	Safety valve 6 bar, G 1/4" external thread
7.0	640082	1	Gasket, rigid PVC, for 1/4" thread
8.0	*	1	Locking screw 3/8", with PVC gasket <u>optional:</u> Filling level indicator, electrical/visual
9.0	*	1	Closure plugs, complete <u>optional:</u> Agitator
10.0	640660	1.00	Copper gasket, 21 x 28 x 1.5
11.0	610535	1.00	Locking screw, DIN 910 R 1/2", stainless steel
12.0	*	1	Material outlet connection
13.0	*	1	Connection for compressed air agitator (if fitted)
14.0	*	1	Connection for atomising air

* You will find the item numbers for your material pressure tank in the table attached in the **8 "Spare parts and accessories" chapter.**

** Pressure vessel and tank cover are only available as complete items (**Item 1.0**).

¹ Material outflow with 3/8" (see chapter 8.2)

Other gasket materials available on request!



3.6 Structure and connections

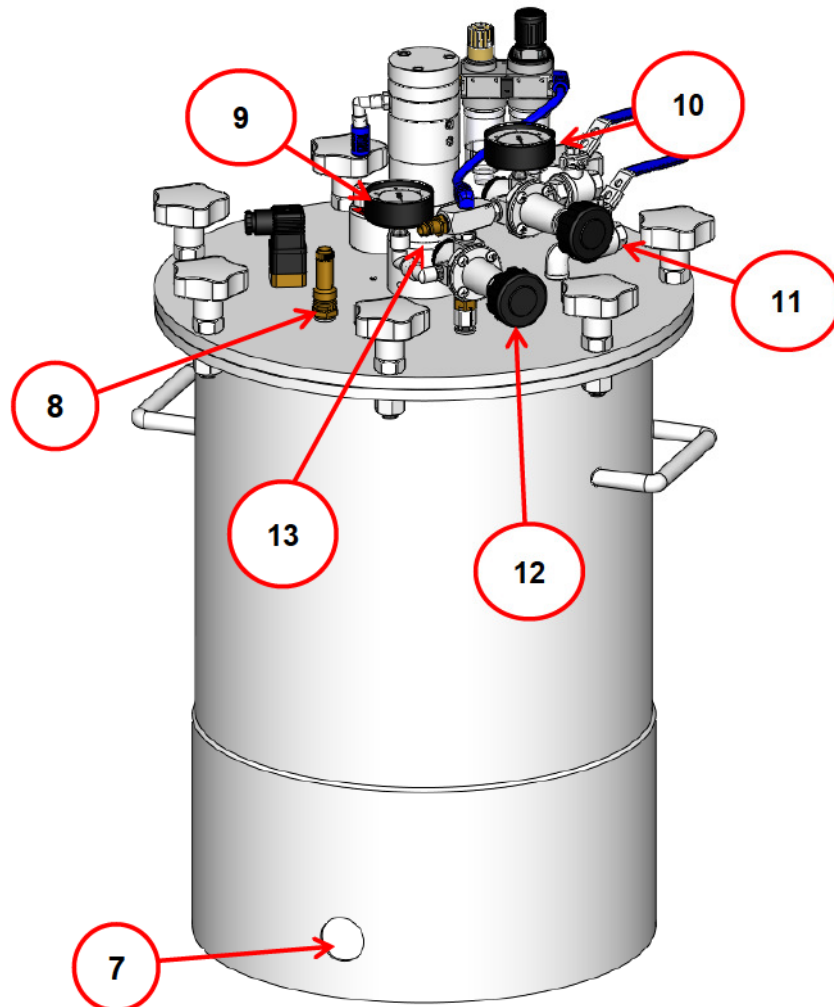
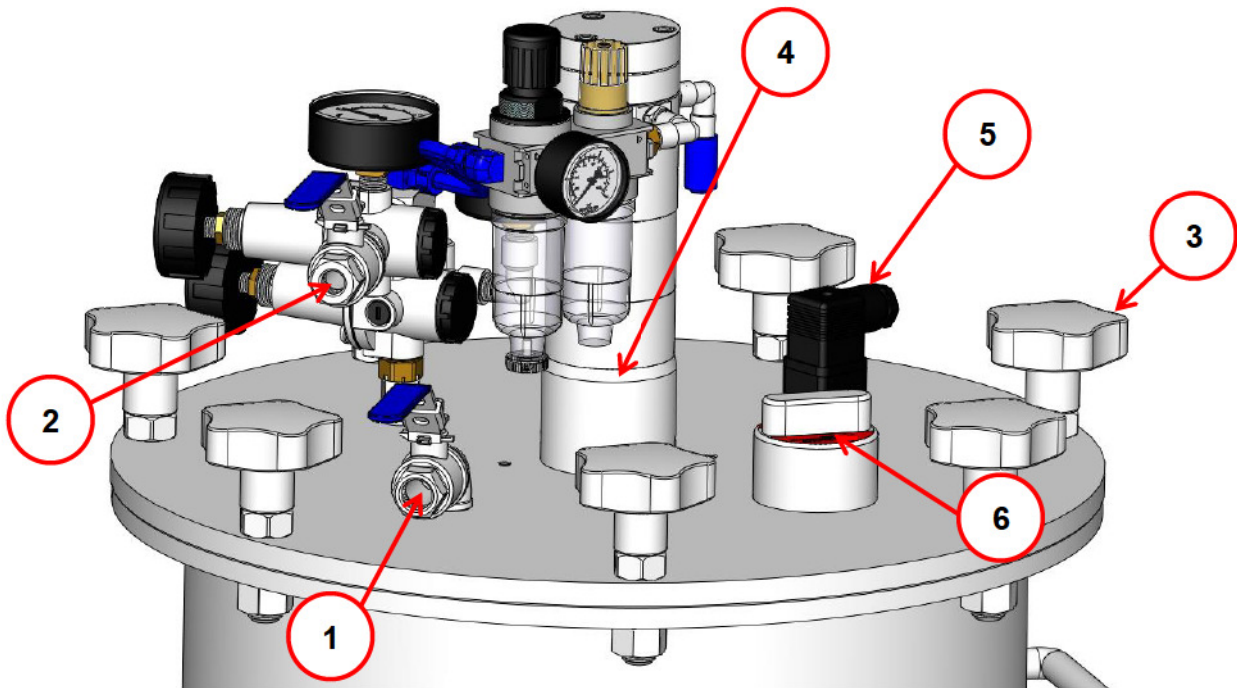




Fig. 3.6/1

Item	Description
1	Material outflow
2	Atomising air outlet
3	Star grip
4	Closure plug/optional: Compressed air agitator
5	Locking screw/optional: Filling level indicator
6	Filler pipe
7	Drain/alternative material outflow at bottom
8	Safety valve
9	Manometer for the material pressure
10	Manometer for the atomising air pressure
11	Pressure regulator for the atomising air pressure
12	Pressure regulator for the material pressure
13	Compressed air supply

4
4

DISTRIBUTOR IN BALTICS:
PAKARTE LLC
 Phone+372 5656 9482
 pakarte@pakarte.com
 www.pakarte.com