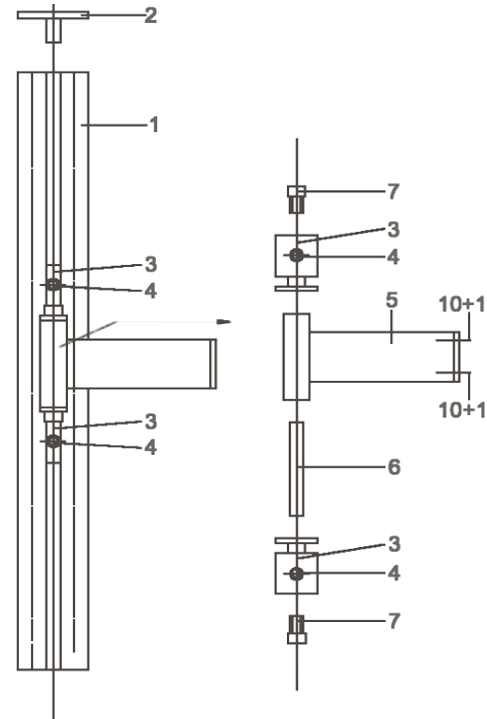
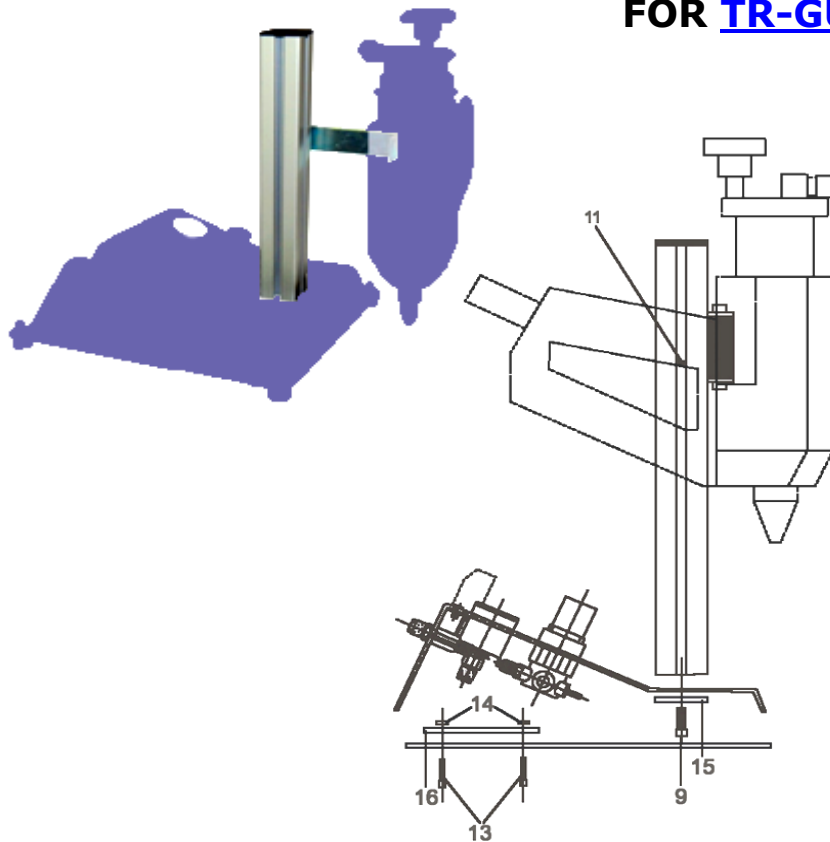




## STATIONARY EQUIPMENT TRV3746 FOR FOR TR-GUNS (with FOOTSWITCH TRV3518)



Nr.	P/N	Article
1	3589	Pole 360 mm
2	3591	Cap Abdeckkappen
3	3590	Angle (2) Winkel (2)
4	3597	Screw (2)
5	3593	Fixing angle
6	3592	Tube
7	3594	Screw (2)
9	3621	Screw
10	3192	Screw /gun holder (2)
11	3691	Plug 4 mm
12	3193	Nut / gun holder (2)
13	3877	Cyl.Screw M4x22 (2)
14	3140	Nut M4 (2)
15	2031	Panel 60x60x3mm
16	2032	Panel 110x251x3mm



VIDEO: APPLICATION WITH FOOTSWITCH  
[https://youtu.be/fecm80PRA\\_o](https://youtu.be/fecm80PRA_o)



PAKARTE.COM: FOOTSWITCH TRV3518  
<https://pakarte.com/est/TRV3518.pdf>