

**Product Manual for
Pneumatic Reka Glue Guns**

www.pakarte.com

TR 50.4 25
TR 55 LCD
TR 60 LCD
TR 700
TR 70 LCD
TR 80 LCD



TR 50.4



TR 55 LCD



TR 60 LCD



TR 700



TR 70 LCD



TR 80 LCD

Table of Contents

www.pakarte.com

		TR 50.4 25
		TR 55 LCD
		TR 60 LCD
		TR 700
		TR 70 LCD
		TR 80 LCD
		2012-10
Product Description	1	
General Safety Instructions	2	
Safety Measures during Operation	3	
Start-up and Control	4	
Cleaning and Maintenance	8	
Trouble-Shooting	10	
Environmental Protection	11	
Additional Information	11	
EU Declaration of Conformity	12	
Spare Parts Technical Specifications Accessories		
TR 50.4	14	
TR 55 LCD / HT	16	
TR 60 LCD / HT	18	
TR 700	20	
TR 70 LCD / HT	22	
TR 80 LCD / HT	24	

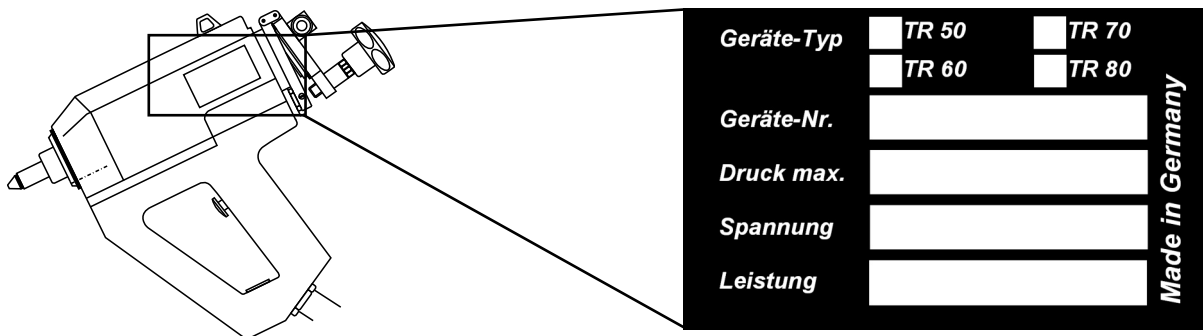
Product Description



Dear customer,

the glue applicator you purchased will help you to glue parts together more easily and more rapidly. To ensure optimum usage of the glue applicator we recommend that you read these instructions thoroughly before using the applicator for the first time.

The type of your applicator can be taken from the nameplate fitted to the side of the casing.



Eggenstein-Leopoldshafen, October 1st 2012

Intended Use

The applicator works with hot glue which is dispensed by a pneumatic conveying system. Therefore, this glue applicator should only be used by qualified persons who have been familiarized with its proper use and the safety precautions.

Handling the applicator properly will avoid unnecessary accident hazards and problems.

Bodily injury or material damage caused by not using the glue applicator as intended shall not be the manufacturer's, but the user's responsibility.

www.pakarte.com

TR 50.4 25

TR 55 LCD

TR 60 LCD

TR 700

TR 70 LCD

TR 80 LCD

2012-10

General Safety Instructions

Care and Diligence of the User

The glue applicator has been designed and fabricated in conformity with the applicable harmonized standards and additional technical specifications. So, it is state of the art and ensures maximum safety.

This safety, however, can only be achieved in the operational practice, if all the necessary measures are taken. The user of the equipment shall be obliged to plan these measures and to make sure that they are taken.

In particular, the user shall ensure that

the applicator to be used is in good working condition.
the personal protective equipment (protective gloves, safety goggles) required for the operating personnel is available and used.

the operating instructions are in legible condition and available to the operator.

only sufficiently qualified and authorized personnel operates and maintains the applicator.

this personnel is regularly instructed in the applicable regulations of operational safety and environmental protection and knows the operating instructions and, in particular, the safety instructions.

Making the Information Available

This operating manual shall always be kept at the place of operation of the applicator. Be sure that all persons handling the applicator can consult the instructions at any time. In addition to this operating manual, there must be available instructions regarding legal and other mandatory regulations relating to accident prevention and to relevant requirements of the employers' liability insurance association.

Safety Symbols

This operating manual gives concrete safety instructions to alert the user to remaining unavoidable hazards.

These hazards imply dangers to
persons
product and equipment

Meaning of the Symbols used in the Manual



This symbol indicates that there is, above all, danger to persons, but also to equipment and material.



Caution: hot surface!
Accident Prevention Regulation VBG 125 – W26 Hot surfaces such as machine parts, tanks or materials, but also hot liquids cannot always be perceived. The utmost caution is advised when this symbol is attached to a component. Wear protective gloves whenever you have to touch hot surfaces.



To avoid accidents lay the cables so that they will not cause any risk of stumbling.



Wear protective gloves and safety goggles whenever you work with the applicator.



www.pakarte.com

TR 50.4 25

TR 55 LCD

TR 60 LCD

TR 700

TR 70 LCD

TR 80 LCD

2012-10

Safety Measures to be taken during Operation



The applicator must only be used by trained, instructed and authorized persons. These persons must have read the operating instructions and be able to work accordingly. Before using the applicator, check it for visible damage and make sure that it is only used when in proper and safe condition. Notify detected defects to the appropriate person immediately.

Safety Instructions for the Operation of the Hot-Melt Applicator



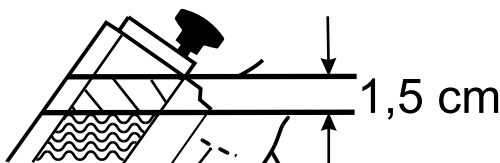
Wear protective gloves and safety goggles whenever you work with the applicator.



Avoid accidents by stumbling – Lay all cables, hoses and conducts so that they will not cause any risk of stumbling. For this, install cable ducts and bridges.



Only fill the tank up to 1.5 cm under the upper rim.



Never exceed the operating temperature of the hot melt. This temperature is indicated in the technical specification of the glue. Overheating may lead to decomposition which may affect the health of the user as well as the operability of the applicator.

Once the glue applicator has warmed up, nozzle and lid are very hot.

Do not start working before fitting a nozzle first.

Only replace nozzle when applicator is warm.

Unplug the connecting cable before replacing a nozzle. Warning: risk of burns! When a nozzle is replaced, liquid glue might leak out.

Never bring the hot nozzle into contact with the cable.

Never direct the glue jet towards people.



When your skin got into contact with hot glue, cool it with cold water immediately. Do not try to remove the hot-melt from the skin first. If necessary, consult a doctor. When hot adhesive got into your eyes, immediately cool them under running water for about 15 minutes and consult your doctor at once.

Always deposit the glue applicator on the wire stand or the respective plate destined for this purpose.

Do not lay the applicator on its side.

Never hold nozzle top upward. Otherwise hot-melt may reach the lid. This causes the venting mechanism to get clogged or also lets hot-melt leak out of the applicator when the lid is opened.

Do not carry out overhead work.

Stop using the equipment, if the casing is damaged due to shock, breakage or heavy wear.

Do not feed solvents or paraffin. Risk of explosion!

Start-up and Control



Wear protective gloves and safety goggles whenever you work with the applicator.



Avoid accidents by stumbling – Lay all cables, hoses and conducts so that they will not cause any risk of stumbling. For this, install cable ducts and bridges.



Never direct the glue jet towards people!

Do not lay the applicator on its side.

Never hold nozzle top upward.



Do not carry out overhead work.

Never start working before fitting a nozzle first.

Change nozzles only when the applicator is warmed up.

Open lid only when the applicator is heated up.

Do not overcharge the applicator; only fill it up to max. 1.5 cm below upper rim.

Stop using the equipment, if the casing is damaged due to shock, breakage or heavy wear.

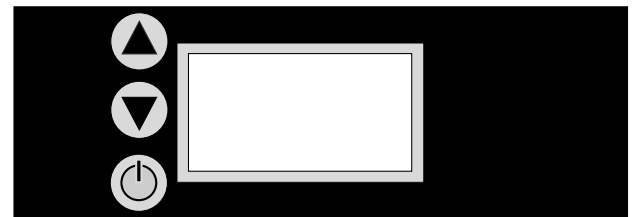
The glue applicator must only be used/applied for its intended purpose. Please read the chapter „General Safety Instructions“.

If it is not used as intended, this may cause personal injuries or equipment damages. Disregard of the safety instructions for the use of the applicator may lead to serious burns.

Before you use the applicator perform functionality test according to the following list:

- Is compressed air supplied to the glue applicator?
- Is the applicator connected to a compressor with oil mist separator?
- Is the pressure max. 6 bars and min. 2 bars?
- Is the applicator connected to 230 volts (or 120 volts, if required by the specific applicator)?
- Is the applicator switched on?
- Is the nozzle clean and free of foreign matters?
- Has the heat-up time of approx. 10 minutes (depending on glue type) been kept?
- Is hot-melt glue in the melting tank?


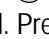
Setting the hot-melt working temperature (all LCD types)




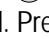
Switching the applicator on and off:

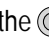
Press the  button to switch the applicator on or off.

Raising the temperature:

Press the  button until the desired temperature is indicated. Press the  button once to confirm the setting.

Reducing the temperature:

Press the  button until the desired temperature is indicated. Press the  button once to confirm the setting.

While the applicator is heating up to the set temperature, the numbers on the display are flashing. If the chosen temperature is not confirmed within a few seconds by pushing the  button, the applicator will use the last set temperature.

Setting the Working Temperature of the Hot-Melt (TR 50.4)

After having started the applicator, wait for approx. 10 minutes and check the working temperature at the thermometer. If necessary, correct the temperature at the thermostat.

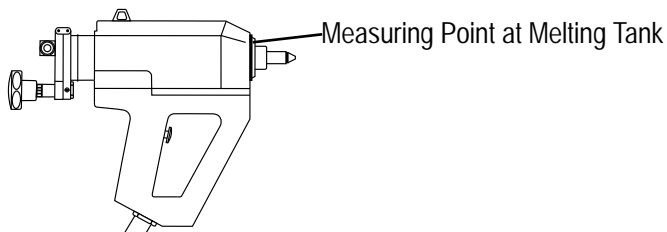
Clockwise = higher temperature
Anti-clockwise = lower temperature

Minor leaking out of the nozzle during the heat-up phase is due to the hot-melt expanding in the nozzle/heating chamber. As soon as the working temperature is reached, the hot-melt will stop leaking.

General Notice on Hot-Melt Working Temperature (all Applicators)

Please note:

The temperature regulation is not calibrated! If an exact temperature is required, use a calibrated thermometer to check the temperature. Please also note that the outside temperature of the melting tank differs from the actual temperature inside the melting tank.



Working with a Balancer (Suspender)

If the glue applicator is fixed to a balancer (suspender), it is recommended to use the suspension # 10436. Thereby it is avoided that, by a wrong positioning, glue gets into the vent valve.

This applies to glue applicators TR 50.4, TR 55, TR 60, TR 700, TR 70, TR 80.



Stand including Pressure Regulator and Manometer

The precision adjustment for the compressed air regulates your glue application. The set pressure may be read from the indication of the manometer.

When you use the stand for depositing the applicator, remove the wire stand.

Connect the compressed-air hose to the rear side of the stand. Connect the glue applicator and the stand with the compressed-air hose which is firmly fitted to the glue applicator. (TR 50.4 / 55 / 700 / 70)

Pressure controller on the right = air for glue output 2 - 4 bars* (Stand for Storing 2770 and TR 60 / 80)

Pressure controller on the left = air for spray air discharge 1 - 2 bars* (TR 60 / 80)

Working with Stationary Equipment (in connection with pneumatic foot switch)

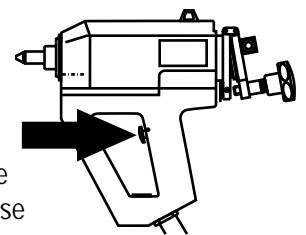


Warning:

Risk of burns! When, in the stationary mode of operation, workpieces are passed below the glue applicator by hand, there is a risk of burns; so, it is absolutely necessary that you wear protective gloves.

First, mount the pneumatic foot switch and the stationary equipment. The relevant instructions are supplied together with the respective accessories. To connect the system, proceed as follows:

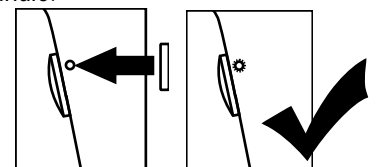
Press the trigger down and hold it.



Put the enclosed plug into the borehole provided for this purpose at one side of the casing handle.

Release the trigger.

The trigger is locked.



Start-up and Control

Loading Hot-Melt Glue (TR 50.4 / 55 / 60)

As soon as the applicator has warmed up, turn the star grip (no. 6) anti-clockwise and open the lid upward (TR 50.4 / 60: item 3; TR 55: item 4).

Now you can load the desired non-reactive glue.

Only fill the tank up to approx. 1.5 cm below its upper rim. Turn the star grip clockwise to close the lid.

It takes the applicator approx. 3 – 10 minutes to melt the glue, depending on quantity and type of the glue as well as the processing temperature.

To apply glue, push the trigger. The dispensed amount is controlled by the trigger, the pressure applied to the glue gun as well as the nozzle diameter. The longer the trigger is pushed and the bigger the nozzle diameter is, the more glue is dispensed.

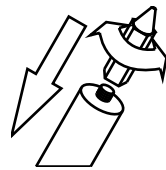
Using PUR Hot-Melt Cartridges (TR 700 / 70 / 80)

Cartridges may only be inserted or exchanged, when the applicator is warm or heated up. Do only use cartridges in perfect condition, that is without dents, etc., so that the piston may move freely in the cartridge.

Preparation of the Cartridge



To open the cartridge pierce the outlet, using a pointed tool.



Screw nozzle adapter and nozzle onto the cartridge.

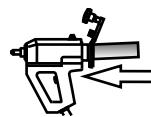
Preheating the Cartridge

To ensure optimum operation it is recommended to use Reka cartridge preheater (article 5398 (230 V); article 5399 (120 V)). Cartridges in the cartridge preheater should always be fitted with nozzle adapter and nozzle.

Loading the Hot-Melt Cartridge

As soon as the applicator has warmed up, turn the star grip (item 6) anti-clockwise and open the lid (item 5) upward.

Be sure that the cartridge outlet has been opened and a adapter and nozzle are fitted (see „Preparation of the Cartridge“).



Insert the cartridge into the cartridge applicator.



20 min.

Allow approx. 20 minutes for the applicator to warm up (depending on the type of glue). Warming-up will not take as long, if the cartridge has been preheated.



Apply the hot-melt glue.



Wear protective gloves and safety goggles whenever you work with the applicator.



When the applicator has warmed up, there is a risk of burns!



If, when changing the cartridge, another type of glue is used, the nozzle must be rinsed thoroughly (see chapter „Cleaning of the Nozzle/Nozzle Adapter“).

If an empty cartridge is replaced by a full one containing a different type of glue, nozzle and adapter must be cleaned. For this, please read „Cleaning the Nozzle/Nozzle Adapter after working with PUR Hot-Melt Glue Cartridges“ in chapter „Cleaning and Maintenance“. (Page 8).

Applying Hot-Melt Glue



Wear protective gloves and safety goggles whenever you work with the applicator.



Never start working before fitting a nozzle first.

Never direct the glue jet towards people!



When your skin got into contact with hot glue, cool it with cold water immediately. Do not try to remove the hot-melt from the skin first. If necessary, consult a doctor. When hot adhesive got into your eyes, immediately cool them under running water for about 15 minutes and consult your doctor at once.

Make yourself familiar with the instrument first. Apply a little glue in varying forms on a piece of paper or cardboard. For example, lines, small or big spray or glue points. Try to find out the correct quantity and the ideal pattern by adjusting the air and glue quantities by means of the pressure regulator at the stand (TR 60 / 80), always observing the correct working temperatures of the specific hot-melt. This temperature is indicated in the technical datasheet of the respective hot-melt.

Spraying Hot-Melt Glues (TR 60 / 80)

The supplied hot-spray systems TR 60 / 80 are designed for spraying pressure-sensitive adhesives and PUR hot-melt glues. Please check, whether the complete spray head (drawing Detail Front) is fitted to the applicator; if this is not the case, attach it. The spray cap (# 3088) must be screwed on slightly by hand; never use any tools. You are advised to wear protective gloves. Do not

turn off the spray air as long as a spray cap is fitted to the glue gun.

Modification for Dot and Line Application (TR 60 / 80)

For this, the complete spray head must be exchanged. Please read the following chapter „Replacement of Nozzles“ (see below).

The correct nozzle assembly is shown in the attached drawing „Nozzle Assembly for Dot and Line Application“. To apply dots and lines, the pressure regulator for the spray air on the stand must be set to zero pressure.

Replacement of Nozzles



Warning: risk of burns!

When your skin got into contact with hot glue, cool it with cold water immediately. Do not try to remove the hot-melt from the skin first. If necessary, consult a doctor.



When hot adhesive got into your eyes, immediately cool them under running water for about 15 minutes and consult your doctor at once.



For your own safety wear protective gloves and safety goggles whenever you work with the applicator.

Unplug the connecting cable before replacing nozzles!

Only replace nozzles when the applicator is warm (applicator temperature 60-80 °C) and the glue tank is empty. Replacing a nozzle when the applicator is cold, may damage the applicator. If the nozzle is replaced when the applicator is too hot, liquid glue may leak out. For the melting range and the melting point of the used glue, please see the technical datasheet of the respective glue.

Cleaning and Maintenance

Never fill soiled glue into the melting tank. If you observe all advices given in the operating manual, the glue applicator does normally not need cleaning. The nonreactive glue contained in the applicator will remelt and can be used for glueing again.

The working temperature of the respective glue may be taken from the technical datasheet which can be procured from the producer of the glue. This temperature must not be exceeded, otherwise the glue may coke in the glue applicator. Hot-melts on a polyamide basis are particularly sensitive. If the glue has coked, the applicator should be cleaned.

Never clean the applicator with solvent, benzine, benzene, toluene, acetone, turpentine, etc. risk of explosion!

When reactive PUR hot-melt glues are used, the adapter and the nozzles must be flushed thoroughly. For this, use a special cleaning agent in 310ml cartridges. Please ask your glue supplier for the cleaning agent suited for the hot-melt used by you.

If the applicator is used very often, we recommend to have it maintained regularly. For this, fix a date with our service department.

Cleaning the Nozzle/Nozzle Adapter after having applied PUR Hot-Melt Cartridges (TR 700 / 70 / 80)

When the applicator will not be used for a longer time, we recommend that you clean the nozzle/the adapter because reactive PUR hot-melts may harden within a short time and cannot melt any more.



Warning: risk of burns!

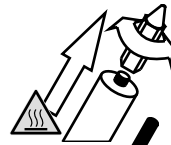


For your own safety you are advised to wear protective gloves and safety goggles when replacing nozzles.

Proceed as follows:



Remove the PUR cartridge from the applicator.



Unscrew the nozzle adapter from the warm glue cartridge.



Use a pointed tool to open the outlet of the PUR-cleaner cartridge.



Screw the nozzle adapter on the screw thread of the cleaner cartridge.



Insert the cleaner cartridge in the applicator. Please ask the glue producer for the cleaning agent suited for the glue used by you.



20 min.

Allow about 20 minutes for the applicator to warm up the cleaner.



Flush the nozzle adapter with cleaner until you see cleaning agent come out steadily.

Remove the cleaner cartridge from the applicator and unscrew the nozzle adapter and nozzle from the cleaner cartridge while it is still warm.

Caution: Hot cleaning agent may flow out!

Allow the cleaner cartridge to cool and keep it for further use.

Cleaning the Vent Valve

Each time the trigger (item 7) has been pulled, the applicator must audibly vent through the vent valve ("SEV"). If the sound absorber (item 8) got stuck, the glue tank may be under pressure.



Warning:
With this, hot glue might come out of the sound absorber!



If the vent valve is clogged, hot-melt can exit the glue gun through the nozzle even when the device is switched off!

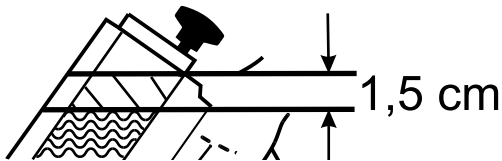
Prevent liquid glue from getting into the sound absorber, when the applicator is ready for operation by ...

depositing the glue applicator on a level plane, using its wire bracket;

depositing the glue applicator on the stand (# 2770, included in TR 60 / TR 80);

suspending the glue applicator at a spring balancer (# 3544);

filling the glue applicator only up to approx. 1.5 cm below the upper rim;



always pointing the nozzle downwards.

If nevertheless glue got into the vent valve, replace it or clean it if possible and when the glue gun is warmed up. Replacement or cleaning of the vent valve when the glue gun is cold may lead to damaging the device.

Trouble-Shooting

List of possible fault indications and assistance in trouble-shooting

In case of damage, send the glue applicator to Reka, indicating type and serial no. of your applicator. Self-made repairs void the warranty.

Fault	Possible Cause	Measures to be taken
No or too little glue output, though the heat-up time has been observed exactly	• Foreign objects in nozzle?	• Replace nozzle
	• Low air pressure	• Check pressure settings and check air pressure supply if applicable
	• Low hot-melt temperature	• Check temperature setting
	• Cartridge devices TR 700 / 70 / 80: The piston in the cartridge can't move freely	• Replace cartridge
Hot-melt is too thin or too viscous		
Leaking nozzle	• Silencer / Vent Valve is clogged	• Clean the vent valve and replace silencer
	• Foreign objects in nozzle?	• Replace nozzle
	• Cartridge devices TR 700 / 70 / 80: The piston in the cartridge can't move freely	• Replace cartridge
Applicator doesn't heat up	• Device is switched off	• Check power supply • Turn on applicator, if applicable (LCD-Models).
Spray pattern is not as desired (TR 60 / 80)	• Setting of pressure on air / hot-melt needs to be adjusted	Check air-pressure: • Set pressure regulator of hot-melt to zero at stand • Set pressure regulator of spray air to maximum (max. 6 bar) at stand • Set temperature to 200 °C • Hot-air must exit the spray cap after about 30 seconds
	• Hot-melt is not suitable for spray application	• Use suitable hot-melt
Display shows 999 (applies to LCD Models)	• Voltage swing in grid	• Unplug the device • Wait about 20 seconds • Plug the device into the power outlet • If error code is still displayed, send the device in for a check-up

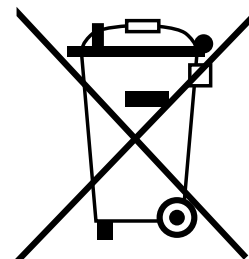
Environmental Protection



Never throw electric tools in the domestic waste. According to the European directive 2002/96/EC for used electric and electronic devices and according to national regulations, used electric tools must be collected separately and treated in an environmentally compatible way for re-use.

Packing material used by Reka Klebetechnik can be recycled completely.

Please take instructions for the disposal of hot-melt glues and hot-melt cartridges from the respective safety specifications.



Additional Information

Do you have any more questions or requests? We will be glad to help you.

Please contact us by:

Telephone +49 721 970 780

Telefax +49 721 705 069

E-Mail sale@reka-klebetechnik.de

Our mailing address is:

Reka Klebetechnik GmbH & Co. KG

Siemensstr. 6

DE-76344 Eggenstein

Internet: <http://www.reka-klebetechnik.de>

EU Declaration of Conformity

Product: Hot-Melt Glue Applicators

Type: TR 50.4
TR 55 LCD
TR 55 LCD HT
TR 60 LCD
TR 60 LCD HT
TR 700
TR 70 LCD
TR 70 LCD HT
TR 80 LCD
TR 80 LCD HT

This is to certify that the above applicators in the design marketed by us are in conformity with the following EC directives:

until 15-01-2007: 73/23/EEC, from 16-01-2007: 2006/95 EC
until 19-07-2009: 91/368 EEC, from 20-09-2009: 2004/108 EC
until 28-12-2009: 89/336 EEC, from 29-12-2009: 2006/42 EC
2002/95/EC

The following standards have been applied:

IEC CISPR14
IEC 60335
IEC 60204
IEC 61000

This declaration of conformity shall get invalid, if the product is modified, extended, or otherwise changed without express approval of Reka Klebetechnik

and/or other components than accessories of Reka Klebetechnik are fitted,

and if the product is not connected or used as intended.

Eggenstein-Leopoldshafen, 1. October 2012



Christa Armbruster

Management Purchasing and Production
Reka Klebetechnik GmbH & Co. KG

Spare Parts Technical Specifications Accessories



TR 50.4



TR 55 LCD



TR 60 LCD



TR 700



TR 70 LCD

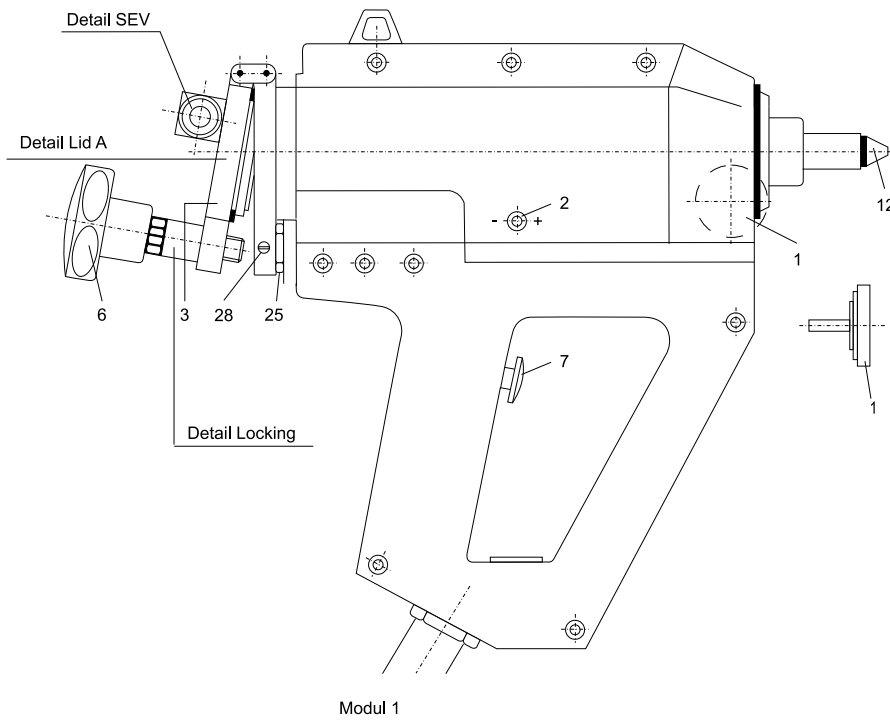


TR 80 LCD



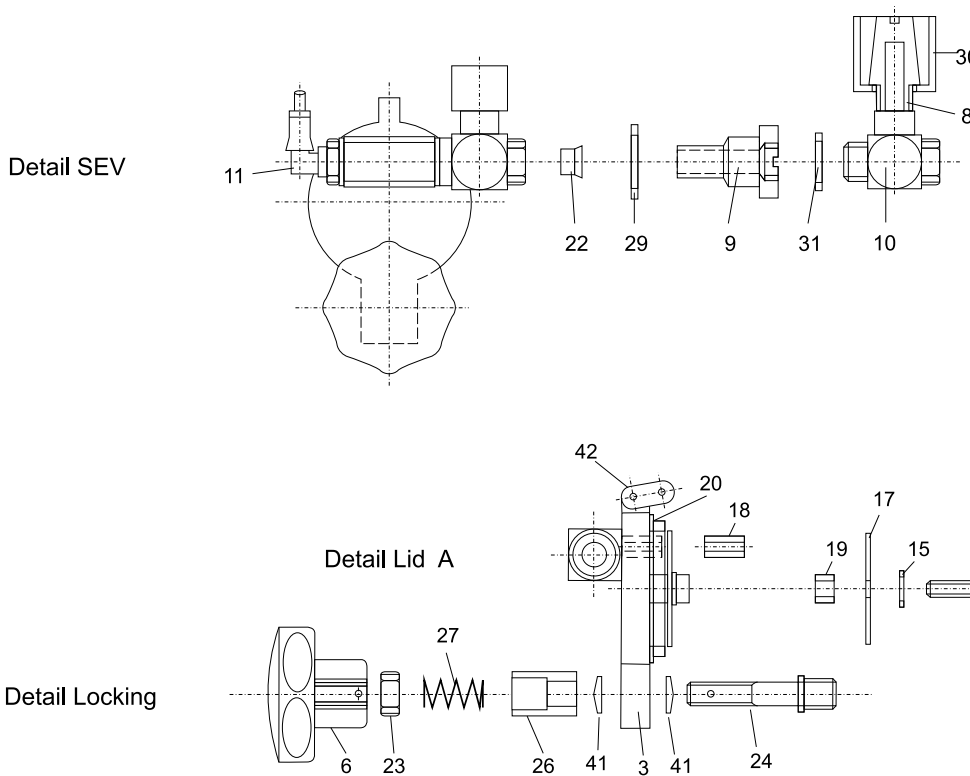
Spare Parts TR 50.4

DET_B_EN_TR 50.4



No.	Art.No.	name of article
1	2518	Thermometer
2	2517	Thermostat
3	3657	Lid "A" for TR 50.4 / 60
4	3661	Lid "D" for TR 55
5	3660	Lid "C" for TR 70 / 700 / 80
6	2613	Star Grip
7	2711	Trigger
12	3074	Nozzle M 14 for TR 50.4 / 55
13	1143	Nozzle M10 for TR 70 / 700
25	2884	Lock Nut for Lid Release
28	2911	Cover safety screw
35	2958	Adapter
38	2918	Switch on/off

DET_Deckel-A_EN (50.4/60)



No.	Art.No.	name of article
3	3657	Lid A for TR 50.4 / 60
4	3661	Lid D for TR 55
5	3660	Lid C for TR 70 / 700 / 80
6	2613	Star Grip
8	2683	Sound Absorber SEV
9	2693	DT-SEV
10	3016	L-Screwing
11	2697	90°-Screwing
14	3051	Spray Nozzle
15	2800	Disc
16	2801	Screw M6 x 16
17	2819	Plate
18	2820	Spacer
19	2802	Intensification
20	2603	O-Ring D 40x3 for TR 50.4 / 60
22	2696	Membrane
23	3665	Lock nut M 8
24	2883	Lid release shaft
26	2885	Spacer bush
27	2718	Spring
29	2692	O-Ring SEV
30	2694	Cap SEV D 18
31	2695	O-Ring DT SEV
32	3088	Spray Cap
33	2616	Spacer 25x2
36	2955	Flat Seal Gasket
37	2953	Cartridge piercer
41	2124	Disc Spring
42	2617	Hinge link
43	2533	O-Ring 40 x 4

Technical Data Glue Gun TR 50.4



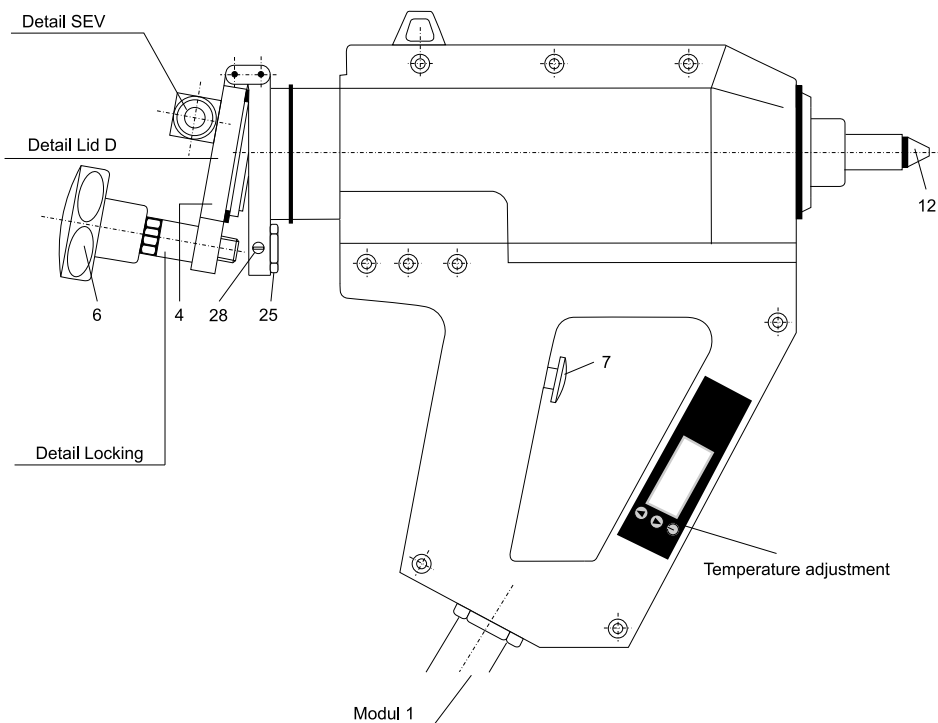
	TR 50.40	
Article Number	5327 (230 V)	5333 (120 V)
Weight	1200 g	
Power Supply	230 V / 50 Hz	120 V / 60 Hz
Power Consumption	600 Watt (230 V)	400 Watt (120 V)
Current Consumption	1,75 A	
Degree of protection	I	
Class of protection	IP 30	
Temperature control	Thermostat	
Temperature limitation	Temperature monitor	
Operating temperature	20 – 200 °C	
Consistency of temperature	± 5 °C	
Temperature indication	analog	
Heat-up time	approx. 3 – 10 min.	
Gross Tank Capacity	250 ml	
Conveying system	Air pressure	
Operating pressure	0,5 – 6 bar	
Length of electric cord	8,5 m	
Recommended melts	Hot-melt granulate, pillows and 43mm sticks/slugs	

Accessories (optional)

- # 3466 Nozzle Set M10 Professional
- # 3544 Suspender (Balancer)
- # 2770 Stand for Storing
- # 3746 Stationary Equipment
- # 3518 Footswitch
- # 5563 Premelter VSB 40 (230 V)
- # 5567 Premelter VSB 40 (120 V)
- Inquire about our nozzle range

Spare Parts TR 55 LCD / HT

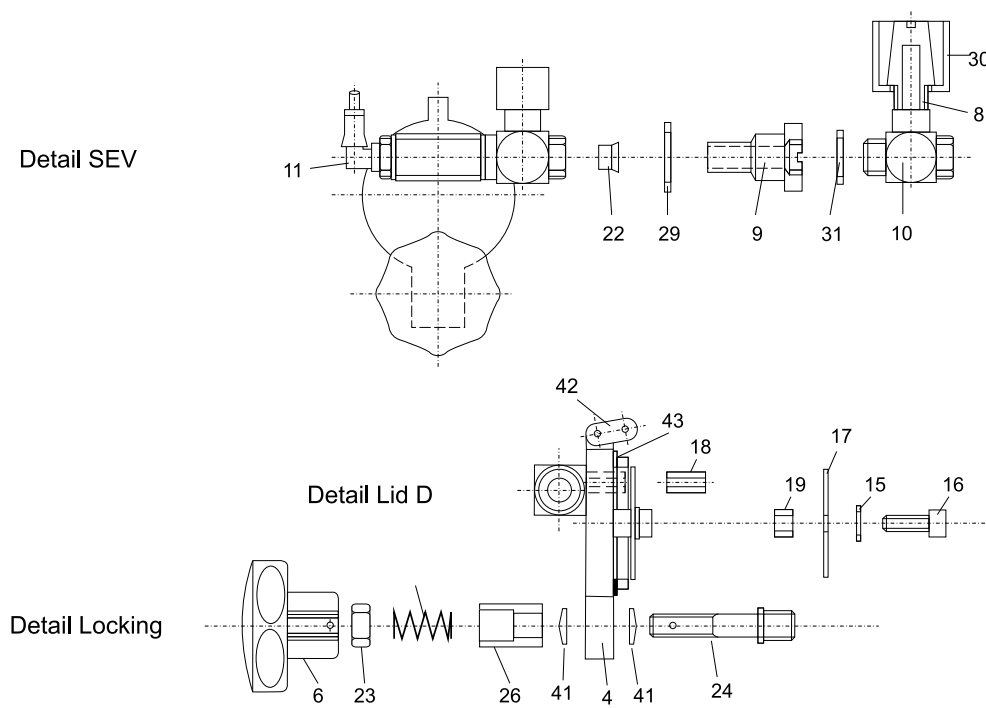
DET_B_EN_TR55



No.	Art.No.	name of article
1	2518	Thermometer
2	2517	Thermostat
3	3657	Lid "A" for TR 50.4 / 60
4	3661	Lid "D" for TR 55
5	3660	Lid "C" for TR 70 / 700 / 80
6	2613	Star Grip
7	2711	Trigger
12	3074	Nozzle M 14 for TR 50.4 / 55
13	1143	Nozzle M10 for TR 70 / 700
25	2884	Lock Nut for Lid Release
28	2911	Cover safety screw
35	2958	Adapter
38	2918	Switch on/off

EXP_Deckel_D_E (TR 55)

No.	Art.No.	name of article
3	3657	Lid A for TR 50.4 / 60
4	3661	Lid D for TR 55
5	3660	Lid C for TR 70 / 700 / 80
6	2613	Star Grip
8	2683	Sound Absorber SEV
9	2693	DT-SEV
10	3016	L-Screwing
11	2697	90°-Screwing
14	3051	Spray Nozzle
15	2800	Disc
16	2801	Screw M6 x 16
17	2819	Plate
18	2820	Spacer
19	2802	Intensification
20	2603	O-Ring D 40x3 for TR 50.4 / 60
22	2696	Membrane
23	3665	Lock nut M 8
24	2883	Lid release shaft
26	2885	Spacer bush
27	2718	Spring
29	2692	O-Ring SEV
30	2694	Cap SEV D 18
31	2695	O-Ring DT SEV
32	3088	Spray Cap
33	2616	Spacer 25x2
36	2955	Flat Seal Gasket
37	2953	Cartridge piercer
41	2124	Disc Spring
42	2617	Hinge link
43	2533	O-Ring 40 x 4



Technical Data Glue Gun TR 55 LCD / HT



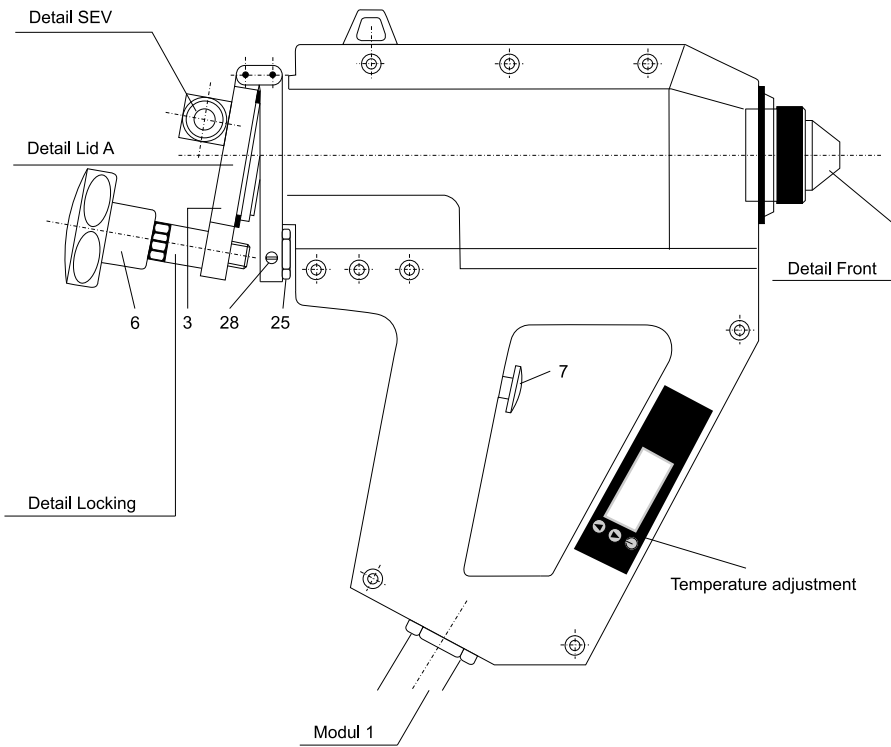
	TR 55 LCD	TR 55 LCD	TR 55 LCD HT	TR 55 LCD HT
Article Number	5356 (230 V)	5359 (120 V)	5384 (230 V)	5388 (120 V)
Weight	1400 g			
Power Supply	230 V / 50 Hz	120 V / 60 Hz	230 V / 50 Hz	120 V / 60 Hz
Power Consumption	600 Watt (230 V)	400 Watt (120 V)	600 Watt (230 V)	400 Watt (120 V)
Current Consumption	1,75 A			
Degree of protection	I			
Class of protection	IP 30			
Temperature control	Electronic			
Temperature limitation	Temperature monitor			
Operating temperature	50 – 210 °C	50 – 210 °C	50 – 250 °C	50 – 250 °C
Consistency of temperature	± 2 °C			
Temperature indication	digital			
Heat-up time	approx. 3 – 10 min.			
Gross Tank Capacity	330 ml			
Conveying system	Air pressure			
Operating pressure	0,5 – 6 bar			
Length of electric cord	8,5 m			
Recommended melts	Hot-melt granulate, pillows and 43mm sticks/slugs			

Accessories (optional)

- # 3465 Nozzle Set M14 Professional
 - # 3544 Suspender (Balancer)
 - # 2770 Stand for Storing
 - # 3746 Stationary Equipment
 - # 3518 Footswitch
 - # 5563 Premelter VSB 40 (230 V)
 - # 5567 Premelter VSB 40 (120 V)
- Inquire about our nozzle range

Spare Parts TR 60 LCD / HT

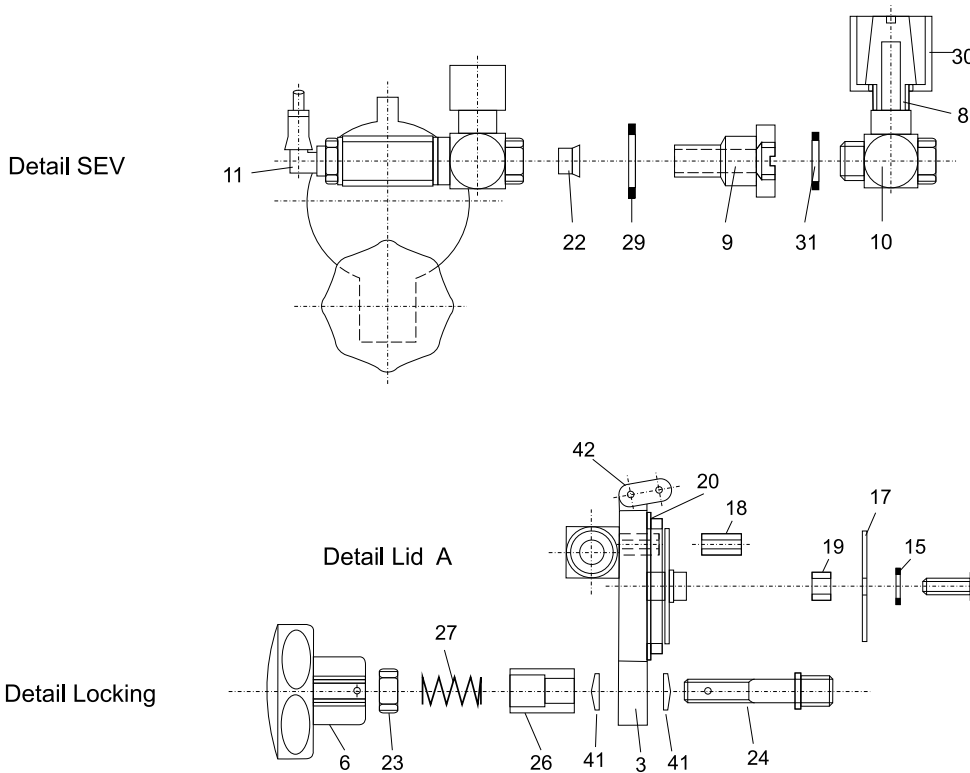
DET_B_EN_TR 60



No. Art.No. name of article

1	2518	Thermometer
2	2517	Thermostat
3	3657	Lid "A" for TR 50.4 / 60
4	3661	Lid "D" for TR 55
5	3660	Lid "C" for TR 70 / 700 / 80
6	2613	Star Grip
7	2711	Trigger
12	3074	Nozzle M 14 for TR 50.4 / 55
13	1143	Nozzle M10 for TR 70 / 700
25	2884	Lock Nut for Lid Release
28	2911	Cover safety screw
35	2958	Adapter
38	2918	Switch on/off

DET_DeckeI-A_EN (50.4/60)



No. Art.No. name of article

3	3657	Lid A for TR 50.4 / 60
4	3661	Lid D for TR 55
5	3660	Lid C for TR 70 / 700 / 80
6	2613	Star Grip
8	2683	Sound Absorber SEV
9	2693	DT-SEV
10	3016	L-Screwing
11	2697	90°-Screwing
14	3051	Spray Nozzle
15	2800	Disc
16	2801	Screw M6 x 16
17	2819	Plate
18	2820	Spacer
19	2802	Intensification
20	2603	O-Ring D 40x3 for TR 50.4 / 60
22	2696	Membrane
23	3665	Lock nut M 8
24	2883	Lid release shaft
26	2885	Spacer bush
27	2718	Spring
29	2692	O-Ring SEV
30	2694	Cap SEV D 18
31	2695	O-Ring DT SEV
32	3088	Spray Cap
33	2616	Spacer 25x2
36	2955	Flat Seal Gasket
37	2953	Cartridge piercer
41	2124	Disc Spring
42	2617	Hinge link
43	2533	O-Ring 40 x 4

Technical Data Glue Gun TR 60 LCD / HT

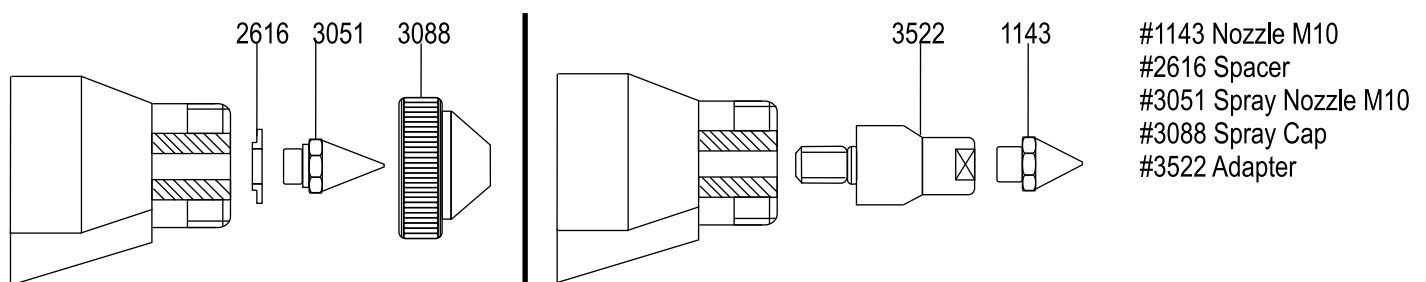


	TR 60 LCD	TR 60 LCD	TR 60 LCD HT	TR 60 LCD HT
Article Number	5351 (230 V)	5361 (120 V)	5382 (230 V)	120 V upon request
Weight	1200 g			
Power Supply	230 V / 50 Hz	120 V / 60 Hz	230 V / 50 Hz	
Power Consumption	600 Watt (230 V)	400 Watt (120 V)	600 Watt (230 V)	
Current Consumption	1,75 A			
Degree of protection	I			
Class of protection	IP 30			
Temperature control	Electronic			
Temperature limitation	Temperature monitor			
Operating temperature	50 – 210 °C	50 – 210 °C	50 – 250 °C	
Consistency of temperature	± 2 °C			
Temperature indication	digital			
Heat-up time	approx. 3 – 10 min.			
Gross Tank Capacity	250 ml			
Conveying system	Air pressure			
Operating pressure	0,5 – 6 bar			
Length of electric cord	4 m			
Length of connections (stand to handgun)	4,5 m			
Recommended melts	Hot-melt granulate, pillows and 43mm sticks/slugs			

Accessories (optional)

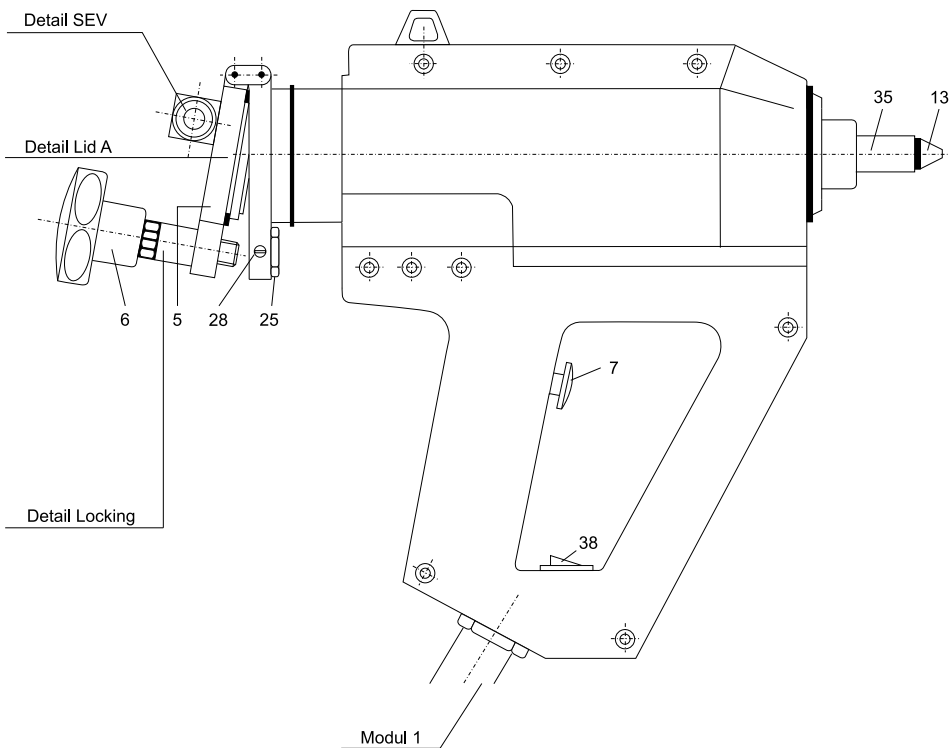
- # 3466 Nozzle Set M10 Professional
 - # 3522 Point-/Line-Adapter for TR 60
 - # 3544 Suspender (Balancer)
 - # 3746 Stationary Equipment
 - # 3518 Footswitch
 - # 5563 Premelter VSB 40 (230 V)
 - # 5567 Premelter VSB 40 (120 V)
- Inquire about our nozzle range

TR 60 LCD – Detail Front



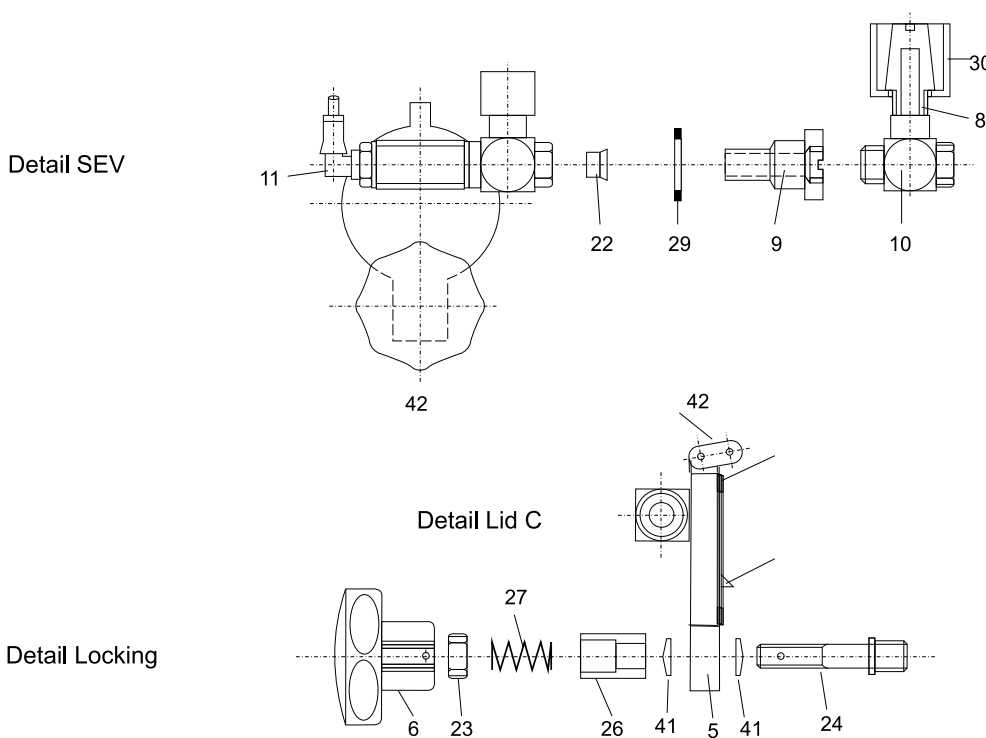
Spare Parts TR 700

DET_B_EN_TR 700



No.	Art.No.	name of article
1	2518	Thermometer
2	2517	Thermostat
3	3657	Lid "A" for TR 50.4 / 60
4	3661	Lid "D" for TR 55
5	3660	Lid "C" for TR 70 / 700 / 80
6	2613	Star Grip
7	2711	Trigger
12	3074	Nozzle M 14 for TR 50.4 / 55
13	1143	Nozzle M10 for TR 70 / 700
25	2884	Lock Nut for Lid Release
28	2911	Cover safety screw
35	2958	Adapter
38	2918	Switch on/off

DET_Decke-C_EN (TR 700/70/80)



No.	Art.No.	name of article
3	3657	Lid A for TR 50.4 / 60
4	3661	Lid D for TR 55
5	3660	Lid C for TR 70 / 700 / 80
6	2613	Star Grip
8	2683	Sound Absorber SEV
9	2693	DT-SEV
10	3016	L-Screwing
11	2697	90°-Screwing
14	3051	Spray Nozzle
15	2800	Disc
16	2801	Screw M6 x 16
17	2819	Plate
18	2820	Spacer
19	2802	Intensification
20	2603	O-Ring D 40x3 for TR 50.4 / 60
22	2696	Membrane
23	3665	Lock nut M 8
24	2883	Lid release shaft
26	2885	Spacer bush
27	2718	Spring
29	2692	O-Ring SEV
30	2694	Cap SEV D 18
31	2695	O-Ring DT SEV
32	3088	Spray Cap
33	2616	Spacer 25x2
36	2955	Flat Seal Gasket
37	2953	Cartridge piercer
41	2124	Disc Spring
42	2617	Hinge link
43	2533	O-Ring 40 x 4

Technical Data Glue Gun TR 700



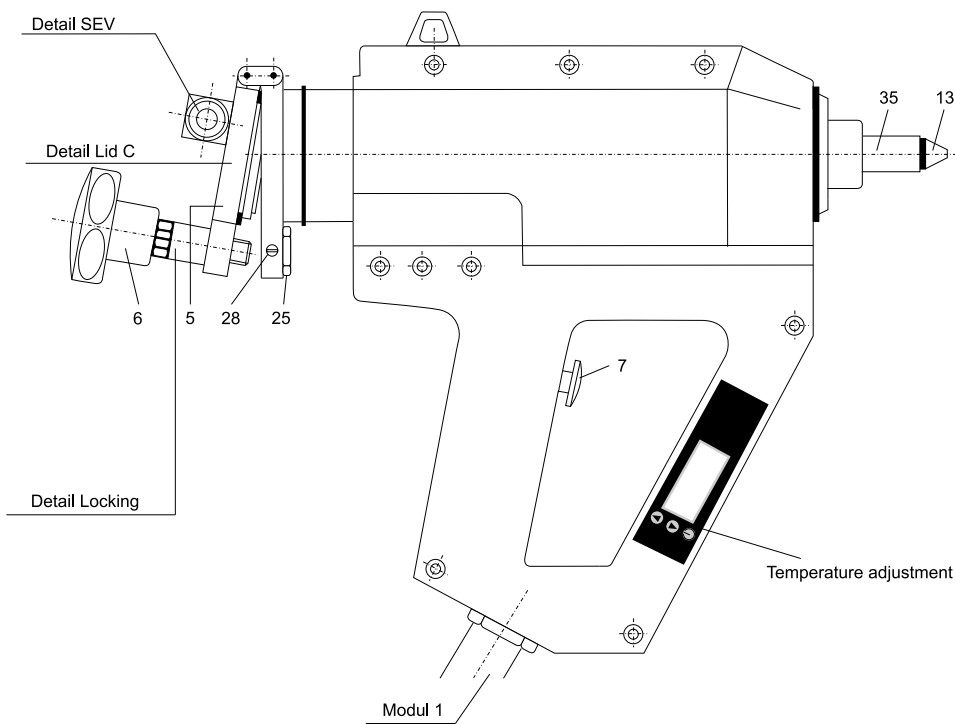
	TR 700	
Article Number	5385 (230 V)	5385 (120 V)
Weight	1400 g	
Power Supply	230 V / 50 Hz	120 V / 60 Hz
Power Consumption	600 Watt (230 V)	400 Watt (120 V)
Current Consumption	1,75 A	
Degree of protection	I	
Class of protection	IP 30	
Temperature control	Thermostat	
Temperature limitation	Temperature monitor	
Operating temperature	120 °C	
Consistency of temperature	± 5 °C	
Heat-up time	approx. 3 – 10 min.	
Gross Tank Capacity	310 ml	
Conveying system	Air pressure	
Operating pressure	0,5 – 6 bar	
Length of electric cord	8,5 m	
Recommended melts	310 ml hot-melt cartridges	

Accessories (optional)

- # 3466 Nozzle Set M10 Professional
- # 2958 Cartridge adapter for dot/line application
- # 7099 Blank cartridge incl. piston
- # 3544 Suspender (Balancer)
- # 2770 Stand for Storing
- # 3746 Stationary Equipment
- # 3518 Footswitch
- # 5398 Cartridge Preheater
- Inquire about our nozzle range

Spare Parts TR 70 LCD / HT

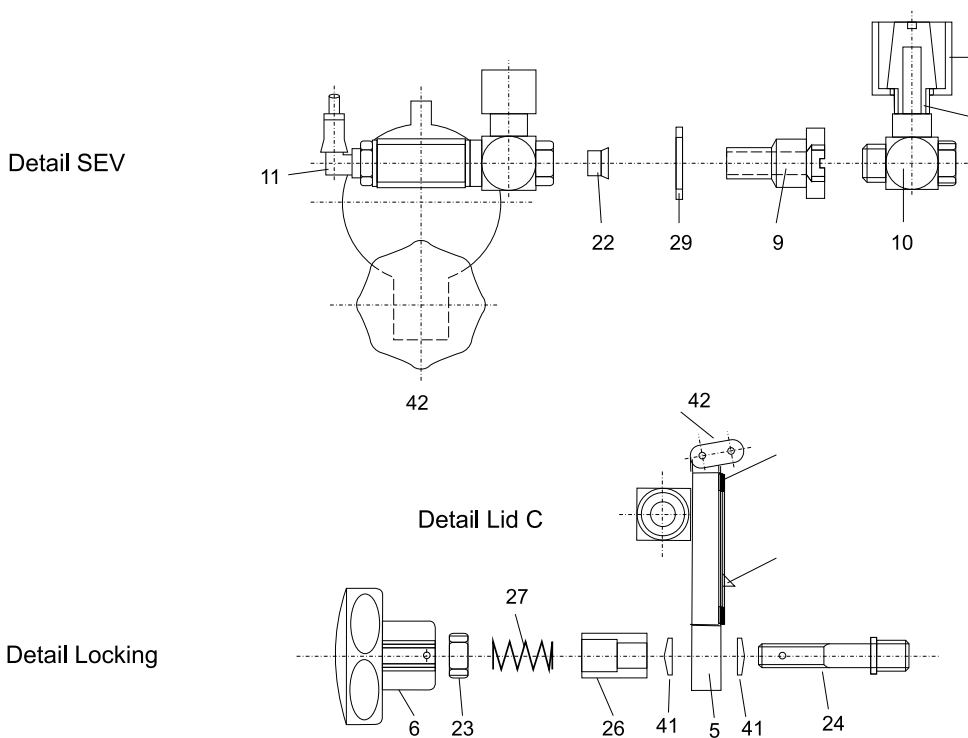
DET_B_EN_TR 70



No. Art.No. name of article

1	2518	Thermometer
2	2517	Thermostat
3	3657	Lid "A" for TR 50.4 / 60
4	3661	Lid "D" for TR 55
5	3660	Lid "C" for TR 70 / 700 / 80
6	2613	Star Grip
7	2711	Trigger
12	3074	Nozzle M 14 for TR 50.4 / 55
13	1143	Nozzle M10 for TR 70 / 700
25	2884	Lock Nut for Lid Release
28	2911	Cover safety screw
35	2958	Adapter
38	2918	Switch on/off

DET_Deckel-C_EN (TR 70,80,70.3)



No. Art.No. name of article

3	3657	Lid A for TR 50.4 / 60
4	3661	Lid D for TR 55
5	3660	Lid C for TR 70 / 700 / 80
6	2613	Star Grip
8	2683	Sound Absorber SEV
9	2693	DT-SEV
10	3016	L-Screwing
11	2697	90°-Screwing
14	3051	Spray Nozzle
15	2800	Disc
16	2801	Screw M6 x 16
17	2819	Plate
18	2820	Spacer
19	2802	Intensification
20	2603	O-Ring D 40x3 for TR 50.4 / 60
22	2696	Membrane
23	3665	Lock nut M 8
24	2883	Lid release shaft
26	2885	Spacer bush
27	2718	Spring
29	2692	O-Ring SEV
30	2694	Cap SEV D 18
31	2695	O-Ring DT SEV
32	3088	Spray Cap
33	2616	Spacer 25x2
36	2955	Flat Seal Gasket
37	2953	Cartridge piercer
41	2124	Disc Spring
42	2617	Hinge link
43	2533	O-Ring 40 x 4

Technical Data Glue Gun TR 70 LCD / HT



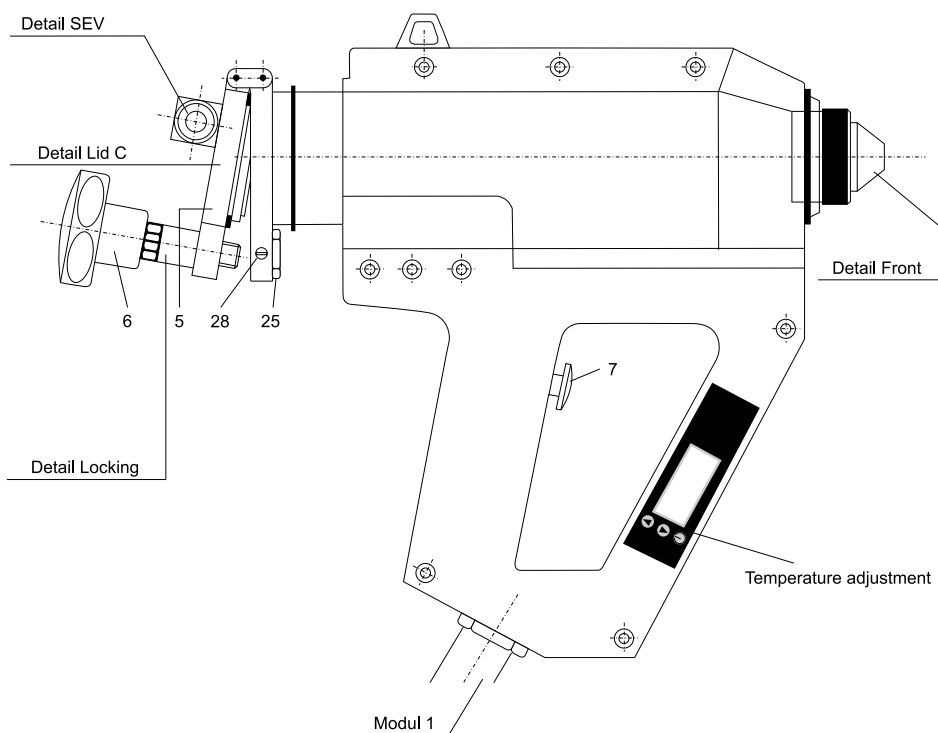
	TR 70 LCD	TR 70 LCD	TR 70 LCD HT	TR 70 LCD HT
Article Number	5355 (230 V)	5360 (120 V)	5386 (230 V)	120 V upon request
Weight	1400 g			
Power Supply	230 V / 50 Hz	120 V / 60 Hz	230 V / 50 Hz	
Power Consumption	600 Watt (230V)	400 Watt (120 V)	600 Watt (230 V)	
Current Consumption	1,75 A			
Degree of protection	I			
Class of protection	IP 30			
Temperature control	Electronic			
Temperature limitation	Temperature monitor			
Temperature indication	digital			
Operating temperature	50 – 210 °C	50 – 210 °C	50 – 250 °C	
Consistency of temperature	± 2 °C			
Heat-up time	approx. 3 – 10 min.			
Gross Tank Capacity	310 ml			
Conveying system	Air pressure			
Operating pressure	0,5 – 6 bar			
Length of electric cord	8,5 m			
Recommended melts	310 ml hot-melt cartridges			

Accessories (optional)

- # 3466 Nozzle Set M10 Professional
- # 2958 Cartridge adapter for dot/line application
- # 7099 Blank cartridge incl. piston
- # 3544 Suspender (Balancer)
- # 2770 Stand for Storing
- # 3746 Stationary Equipment
- # 3518 Footswitch
- # 5398 Cartridge Preheater
- Inquire about our nozzle range

Spare Parts TR 80 LCD / HT

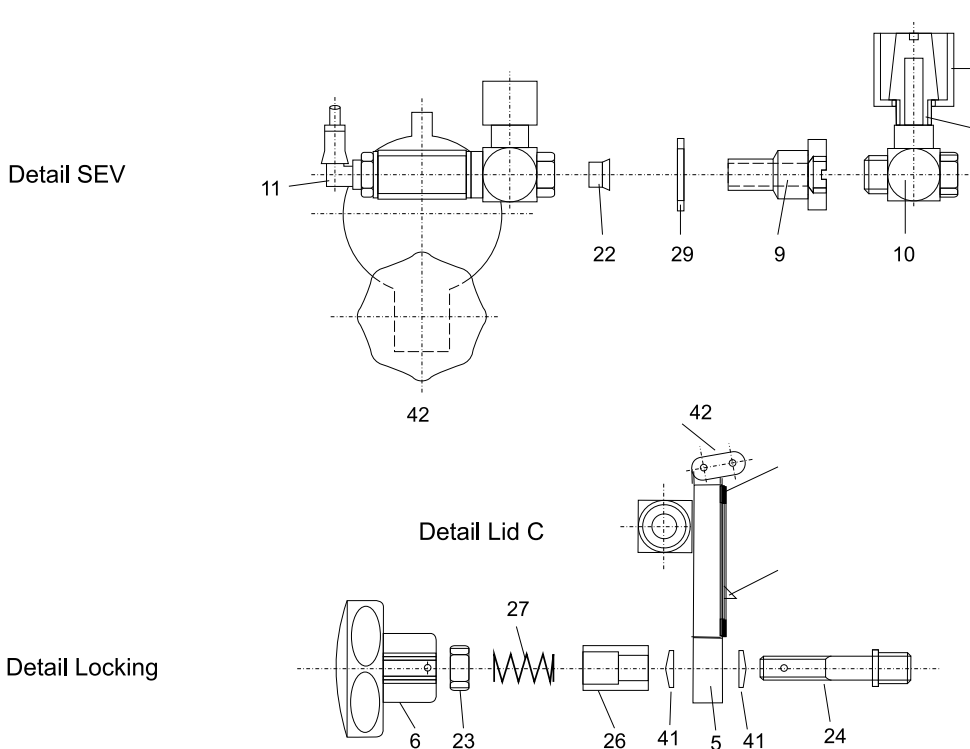
DET_B_EN_TR80



No. Art.No. name of article

1	2518	Thermometer
2	2517	Thermostat
3	3657	Lid "A" for TR 50.4 / 60
4	3661	Lid "D" for TR 55
5	3660	Lid "C" for TR 70 / 700 / 80
6	2613	Star Grip
7	2711	Trigger
12	3074	Nozzle M 14 for TR 50.4 / 55
13	1143	Nozzle M10 for TR 70 / 700
25	2884	Lock Nut for Lid Release
28	2911	Cover safety screw
35	2958	Adapter
38	2918	Switch on/off

DET_Deckel-C_EN (TR 70,80,70.3)



No. Art.No. name of article

3	3657	Lid A for TR 50.4 / 60
4	3661	Lid D for TR 55
5	3660	Lid C for TR 70 / 700 / 80
6	2613	Star Grip
8	2683	Sound Absorber SEV
9	2693	DT-SEV
10	3016	L-Screwing
11	2697	90°-Screwing
14	3051	Spray Nozzle
15	2800	Disc
16	2801	Screw M6 x 16
17	2819	Plate
18	2820	Spacer
19	2802	Intensification
20	2603	O-Ring D 40x3 for TR 50.4 / 60
22	2696	Membrane
23	3665	Lock nut M 8
24	2883	Lid release shaft
26	2885	Spacer bush
27	2718	Spring
29	2692	O-Ring SEV
30	2694	Cap SEV D 18
31	2695	O-Ring DT SEV
32	3088	Spray Cap
33	2616	Spacer 25x2
36	2955	Flat Seal Gasket
37	2953	Cartridge piercer
41	2124	Disc Spring
42	2617	Hinge link
43	2533	O-Ring 40 x 4

Technical Data Glue Gun TR 80 LCD / HT

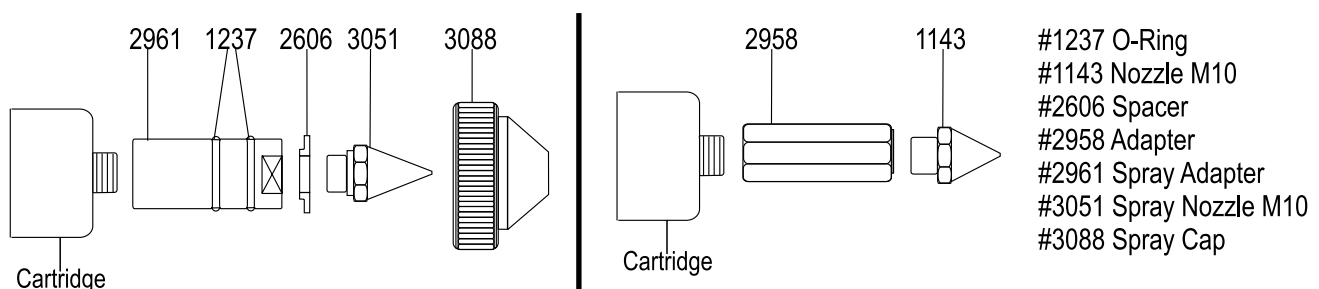


	TR 80 LCD	TR 80 LCD	TR 80 LCD HT	TR 80 LCD HT
Article Number	5354 (230 V)	5362 (120 V)	5408 (230 V)	120 V upon request
Weight	1400 g			
Power Supply	230 V / 50 Hz	120 V / 60 Hz	230 V / 50 Hz	
Power Consumption	650 Watt (230 V)	400 Watt (120 V)	650 Watt (230 V)	
Current Consumption	1,75 A			
Degree of protection	I			
Class of protection	IP 30			
Temperature control	Electronic			
Temperature limitation	Temperature monitor			
Operating temperature	50 – 210 °C	50 – 210 °C	50 – 250 °C	
Consistency of temperature	± 2 °C			
Temperature indication	digital			
Heat-up time	approx. 3 – 10 min.			
Gross Tank Capacity	310 ml			
Conveying system	Air pressure			
Operating pressure	0,5 – 6 bar			
Length of electric cord	4 m			
Length of connections (stand to handgun)	4,5 m			
Recommended melts	310 ml hot-melt cartridges			

Accessories (optional)

- # 3466 Nozzle Set M10 Professional
- # 2958 Cartridge adapter for dot/line application
- # 7099 Blank cartridge incl. piston
- # 3544 Suspender (Balancer)
- # 3746 Stationary Equipment
- # 3518 Footswitch
- # 5398 Cartridge Preheater
- Inquire about our nozzle range

TR 80 LCD – Detail Front



www.pakarte.com

www.pakarte.com

TR 50.4 25

TR 55 LCD

TR 60 LCD

TR 700

TR 70 LCD

TR 80 LCD

2012-10

Reka Klebetechnik GmbH & Co. KG
Siemensstraße 6
DE-76344 Eggenstein

Telephone +49 721 970 780
Telefax +49 721 705 069

E-Mail: sale@reka-klebetechnik.de
Internet: <http://www.reka-klebetechnik.de>