



Kliki
tootepiltidel
ja allkirjadel

PNEUMO-PUR-LIIMIPÜSTOL REKA TR®80 LCD PUR | #5454



PUR

Spray

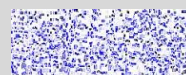


TRV7099
**TRV7099
IX-CARTRIDGE!**

1-X!



Bead & Dot



**Usual
spray**



**Spiral
spray**

TEHNILISED ANDMED:

Pneumaatilise etteandega püstol 310 ml Al-PUR
Töötemperatuur: 50-210°C +/-2°C (tellim. 250)
Kuumliimi 310 ml/ 43 mm PUR-padrun / graanul!
Kuumenemine töötemperatuurini ca 3-10 minutit
Vastab CE sertifikaadinõuetele (IP30)
Kaal: 1400 g | võimsus: 650 W | 2.8 A

1 2

- Demo [Pakarte videokanalilt](#):
analoog TR70: https://youtu.be/3xiZ_mz9K0Y

- Otsikud (lisavarustus).
https://pakarte.com/est/TRN_original_nozzles.pdf
https://pakarte.com/est/TRN_ALL_16PGS.pdf



- Lisavarustus, abivahendid.
https://pakarte.com/est/TRV_all_EST.pdf
TRV7099: [1x padrun graanulile jmt!](#)



- [Saada päring oma kontaktandmetega meile:](#)

reka

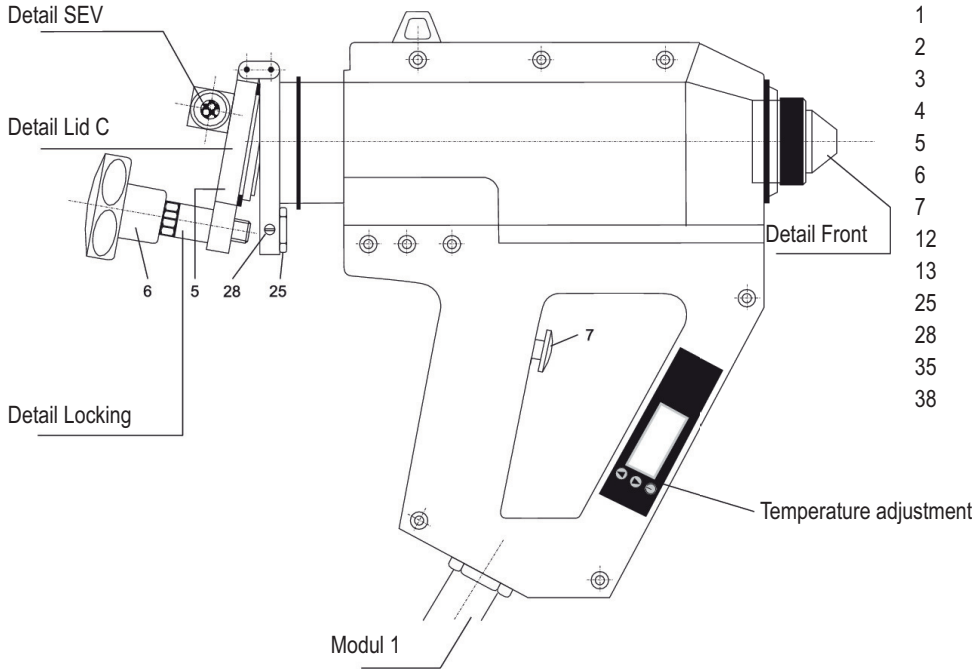
PAKARTE OÜ
Mobiil 5656 9482
pakarte@pakarte.com
www.pakarte.com

WWW.PAKARTE.COM



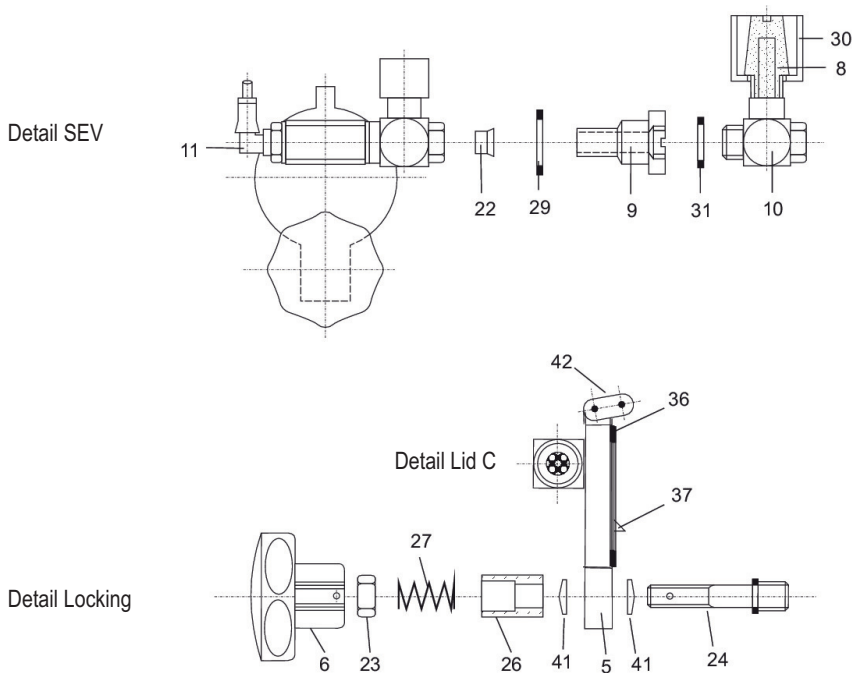
Spare Parts TR 80 LCD / HT

DISTRIBUTOR IN BALTICS:
PAKARTE LLC
 Phone+372 5656 9482
 pakarte@pakarte.com
 www.pakarte.com



No.	Art.No.	name of article
1	2518	Thermometer
2	2517	Thermostat
3	3657	Lid "A" for TR 50.4 / 60
4	3661	Lid "D" for TR 55
5	3660	Lid "C" for TR 70 / 700 / 80
6	2613	Star Grip
7	2711	Trigger
12	3074	Nozzle M14 for TR 50.4 / 55
13	1143	Nozzle M10 for TR 70 / 700
25	2884	Lock Nut for Lid Release
28	2911	Cover safety screw
35	2958	Adapter
38	2918	Switch on/off

2
2



No.	Art.No.	name of article
3	3657	Lid A for TR 50.4 / 60
4	3661	Lid D for TR 55
5	3660	Lid C for TR 70 / 700 / 80
6	2613	Star Grip
8	2683	Sound Absorber SEV
9	2693	DT-SEV
10	3016	L-Screwing
11	2697	90°-Screwing
14	3051	Spray Nozzle
15	2800	Disc
16	2801	Screw M6 x 16
17	2819	Plate
18	2820	Spacer
19	2802	Intensification
20	2603	O-Ring D 40x3 for TR 50.4 / 60
22	2696	Membrane
23	3665	Lock nut M8
24	2883	Lid release shaft
26	2885	Spacer bush
27	2718	Spring
29	2692	O-Ring SEV
30	2694	Cap SEV D 18
31	2695	O-Ring DT SEV
32	3088	Spray Cap
33	2616	Spacer 25x2
36	2955	Flat Seal Gasket
37	2953	Cartridge piercer
41	2124	Disc Spring
42	2617	Hinge link
43	2533	O-Ring 40 x 4
2621	2621	Repairing-Set SEV
2882	2882	Locking complete