



PNEUMO-PUR-KUUMLIIMIPÜSTOL

REKA TR®70LCD | #5422



Bead & Dot



1 2

TEHNILISED ANDMED:

Pneumoetteandega käsipüstol 310 ml/PUR-padrun
 Töötemperatuur: reguleeritav 50-210°C / ± 2°C
 310 ml PUR-padrun, 43 mm (materjal: alumiinium)
 Kuumenemine töötemperatuurini ca 3-10 minutit
 Vastab CE sertifikaadinõuetele ([IP30](#))
 Kaal: 1400 g | võimsus: 400 W

- PUR-püstoli tööpõhimõte: [Pakarte videokanal](#) 
 TR70LCD - https://youtu.be/3xiZ_mz9K0Y

- Otsikud. Lisavarustus.
https://pakarte.com/est/list_trn.html

- PUR liimipadrunid 310 ml, diam 43 mm:
[Vt. tootetutvustus](#)

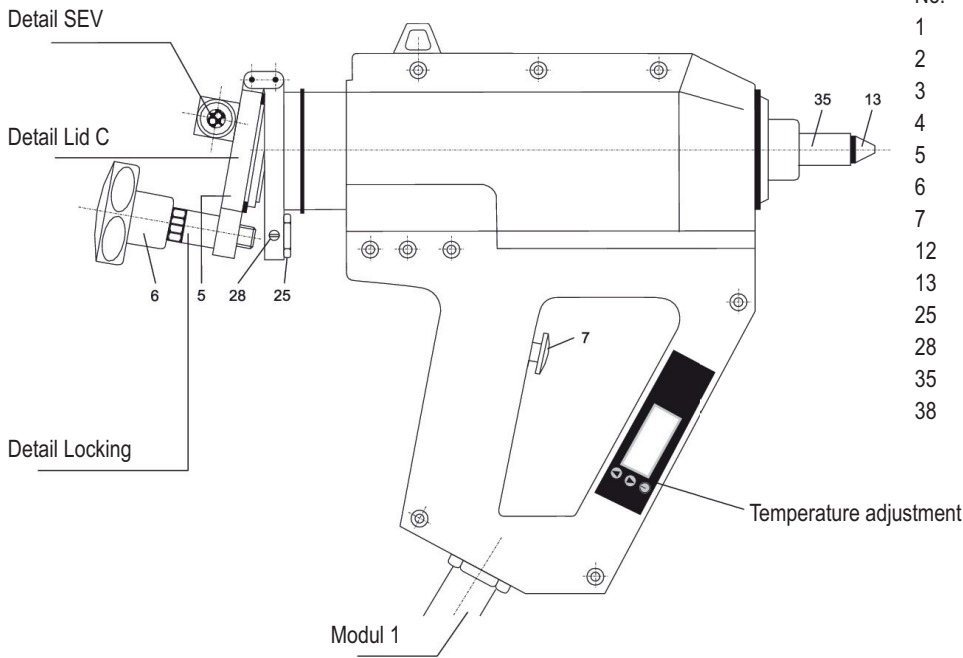


reka ■

PAKARTE OÜ
 Telefon 656 3312
 Mobiil 5656 9482
pakarte@pakarte.com
www.pakarte.com

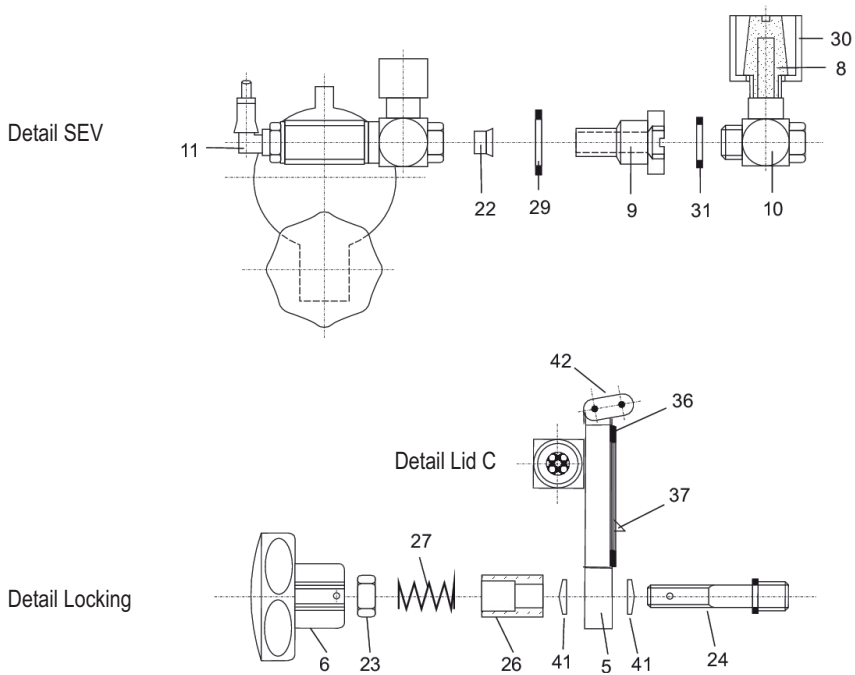
Spare Parts TR 70 LCD / HT

DISTRIBUTOR IN BALTICS:
PAKARTE LLC
 Phone+372 5656 9482
 pakarte@pakarte.com
 www.pakarte.com



No.	Art.No.	name of article
1	2518	Thermometer
2	2517	Thermostat
3	3657	Lid "A" for TR 50.4 / 60
4	3661	Lid "D" for TR 55
5	3660	Lid "C" for TR 70 / 700 / 80
6	2613	Star Grip
7	2711	Trigger
12	3074	Nozzle M14 for TR 50.4 / 55
13	1143	Nozzle M10 for TR 70 / 700
25	2884	Lock Nut for Lid Release
28	2911	Cover safety screw
35	2958	Adapter
38	2918	Switch on/off

22



No.	Art.No.	name of article
3	3657	Lid A for TR 50.4 / 60
4	3661	Lid D for TR 55
5	3660	Lid C for TR 70 / 700 / 80
6	2613	Star Grip
8	2683	Sound Absorber SEV
9	2693	DT-SEV
10	3016	L-Screwing
11	2697	90°-Screwing
14	3051	Spray Nozzle
15	2800	Disc
16	2801	Screw M6 x 16
17	2819	Plate
18	2820	Spacer
19	2802	Intensification
20	2603	O-Ring D 40x3 for TR 50.4 / 60
22	2696	Membrane
23	3665	Lock nut M8
24	2883	Lid release shaft
26	2885	Spacer bush
27	2718	Spring
29	2692	O-Ring SEV
30	2694	Cap SEV D 18
31	2695	O-Ring DT SEV
32	3088	Spray Cap
33	2616	Spacer 25x2
36	2955	Flat Seal Gasket
37	2953	Cartridge piercer
41	2124	Disc Spring
42	2617	Hinge link
43	2533	O-Ring 40 x 4
2621	2621	Repairing-Set SEV
2882	2882	Locking complete