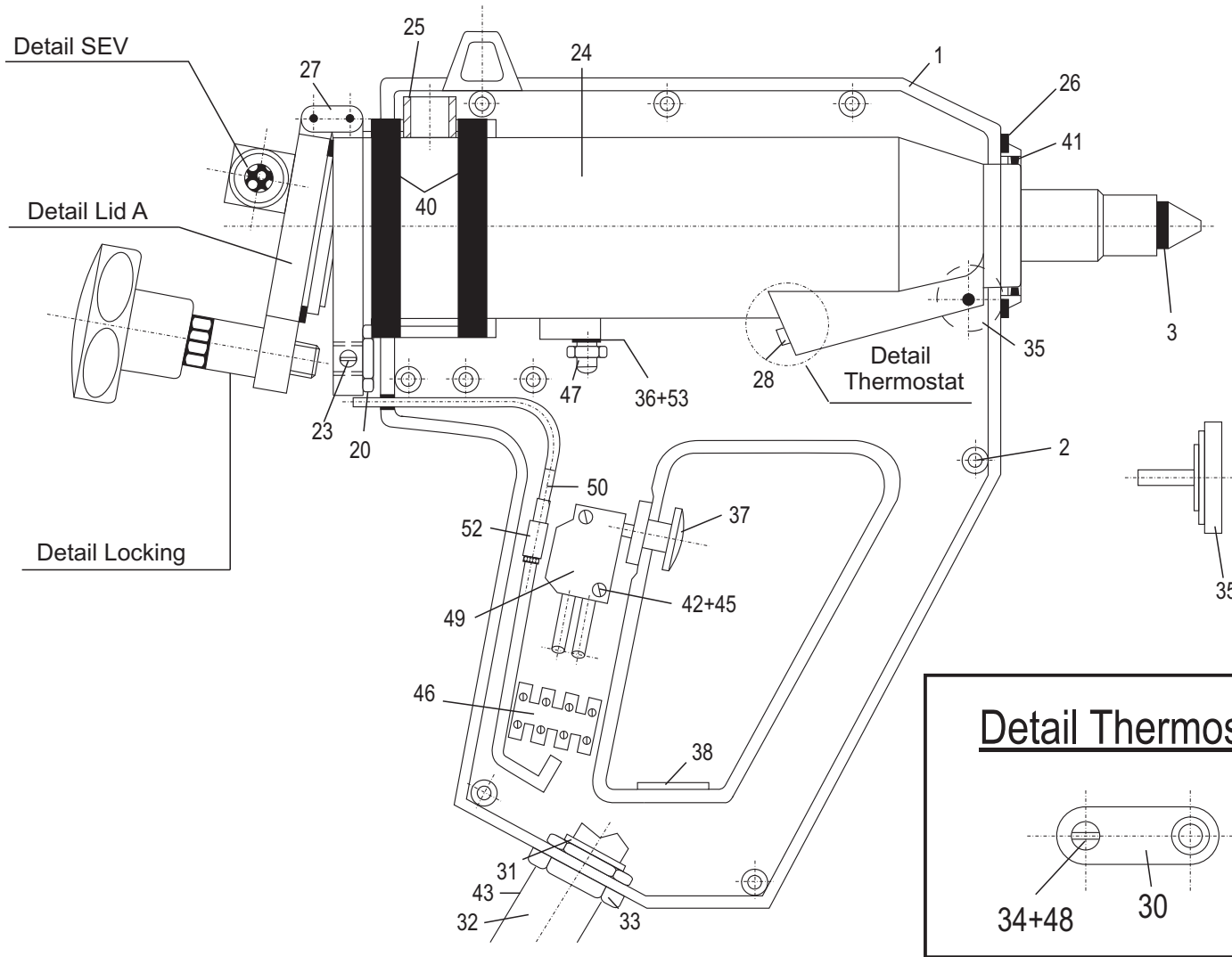


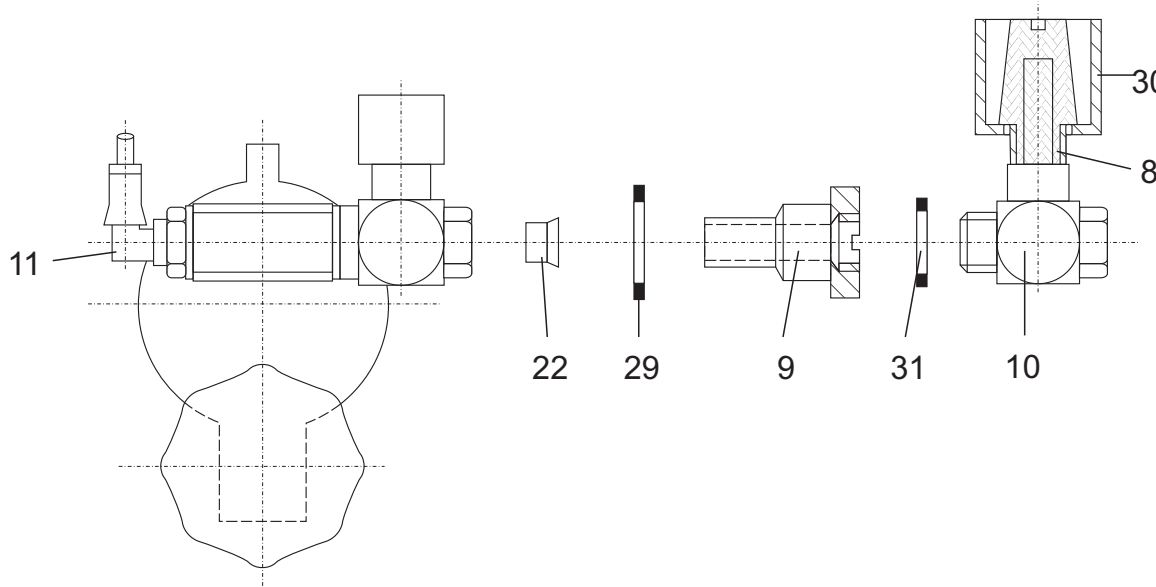
No. **Art.No.** name of article

1	2518	Thermometer
2	3601	Thermostat
3	3657	Lid "A" for TR 50.4 / 60
4	3661	Lid "D" for TR 55
5	3660	Lid "C" for TR 70 / 700 / 80
6	2613	Star Grip
7	2711	Trigger
12	3074	Nozzle M 14 for TR 50.4 / 55
13	1143	Nozzle M10 for TR 70 / 700
25	2884	Lock Nut for Lid Release
28	2911	Cover safety screw
35	2958	Adapter
38	2918	Switch on/off

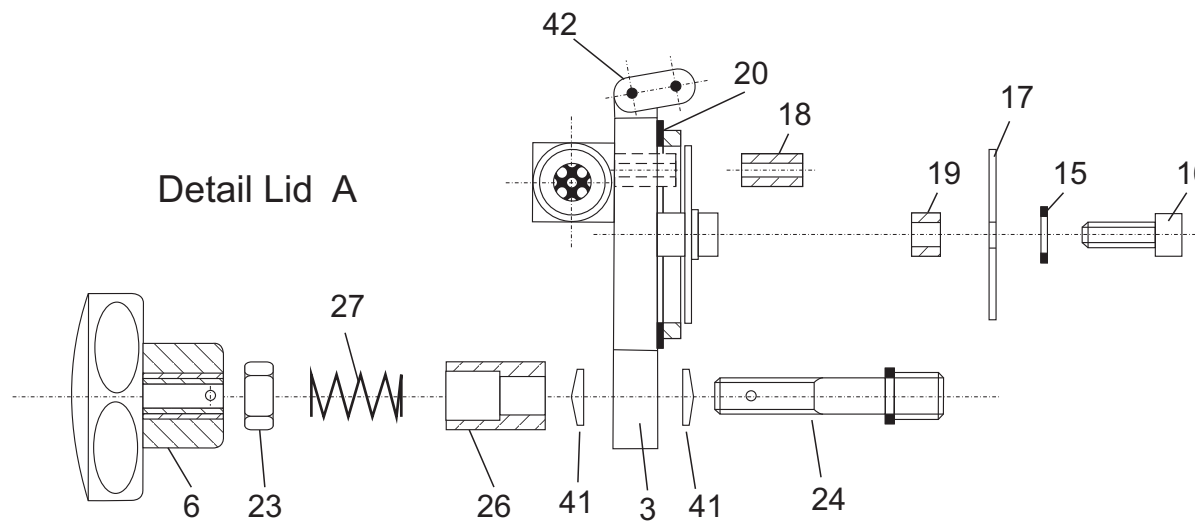


No.	Art.No.	name of article
1	3149	Body casing cpl.,
2	3148	Body housing screws
3	3074	Nozzle M 14 complete
20	2884	Lock Nut for Lid Release
23	2911	Safety screw
24	3001	Melting block
25	3156	PTFE Ring for locking piston
26	3138	Ring/Front A 46
27	2617	Hinge link
28	3099	Heater 400 W (110 V)
28	3295	Heater 600W (230 V)
30	3601	Thermostat
31	3103	Screwing
32	2915	Cord with EU-Plug
32	3104	Cord with US-Plug
33	3102	Cord guard
34	2532	Screw/Thermostat
35	2518	Thermometer
36	2837	Earth cable
37	2711	Trigger
38	3146	Cap
40	3084	Ring/Silicone
41	2691	O-Ring SB-F
42	3140	Nut for valve M 4
43	2916	PA-Cord
45	3145	Screw/Valve 2,9x19
46	2622	Terminal block
47	2627	Thermo-fuse 50-80
48	3159	Washer/Thermostat
49	3161	Valve
50	2633	PTFE Hose 4x1/300
52	3162	Mini-Connection
53	2800	Disc

Detail SEV



Detail Lid A



Detail Locking

No.	Art.No.	name of article
3	3657	Lid A for TR 50.4 / 60
4	3661	Lid D for TR 55
5	3660	Lid C for TR 70 / 700 / 80
6	2613	Star Grip
8	2683	Sound Absorber SEV
9	2693	DT-SEV
10	3016	L-Screwing
11	2697	90°-Screwing
14	3051	Spray Nozzle
15	2800	Disc
16	2801	Screw M6 x 16
17	2819	Plate
18	2820	Spacer
19	2802	Intensification
20	2603	O-Ring D 40x3 for TR 50.4 / 60
22	2696	Membrane
23	3665	Lock nut M 8
24	2883	Lid release shaft
26	2885	Spacer bush
27	2718	Spring
29	2692	O-Ring SEV
30	2694	Cap SEV D 18
31	2695	O-Ring DT SEV
32	3088	Spray Cap
33	2616	Spacer 25x2
36	2955	Flat Seal Gasket
37	2953	Cartridge piercer
41	2124	Disc Spring
42	2617	Hinge link
43	2533	O-Ring 40 x 4