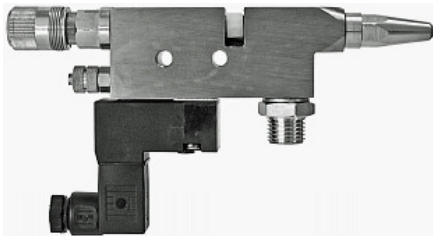


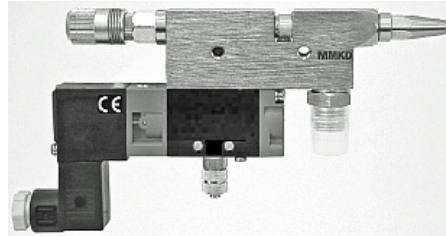
Schütze® automatic valves and guns:

AS-MMDV-MV LV/KV
AS-MMKD-40 LV/KV
AS-MKDD LV/KV
AS-MMDD LV/KV
AS-MMKD-50 LV/KV
AS-SPRAYGUN-MKDD
AS-SPRAY-ASV AND ADAPTER
AS-SPRAY-KA-2 AND ADAPTER
AS-SPRAY-MFS GUNS
AS-EXTENSIONS KA2 JA MFS
AS-EXTENSIONS - D8- KA2-MFS
AS FEEDER ZT 18L / ZDLK™
AS FEEDER PZ9000 / PIZZI™

Schütze® automatic valves and guns



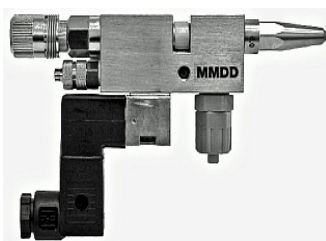
AS-MMDV-MV



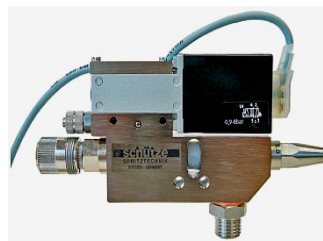
AS-MMKD-40



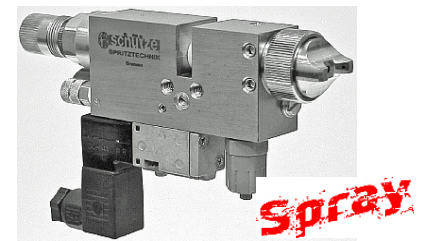
AS-MKDD



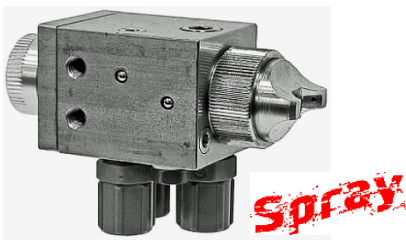
AS-MMDD LV/KV



AS-MMKD-50



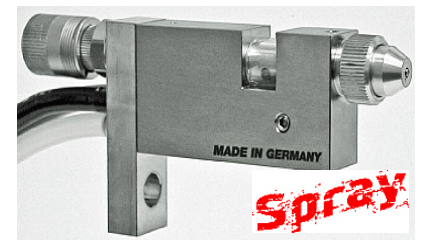
AS-SPRAY-MKDD



AS-SPRAY-ASV



AS-SPRAY-KA-2



AS-SPRAY-MFS



AS-EXT. KA2 / MFS



AS-D8- KA2 / MFS

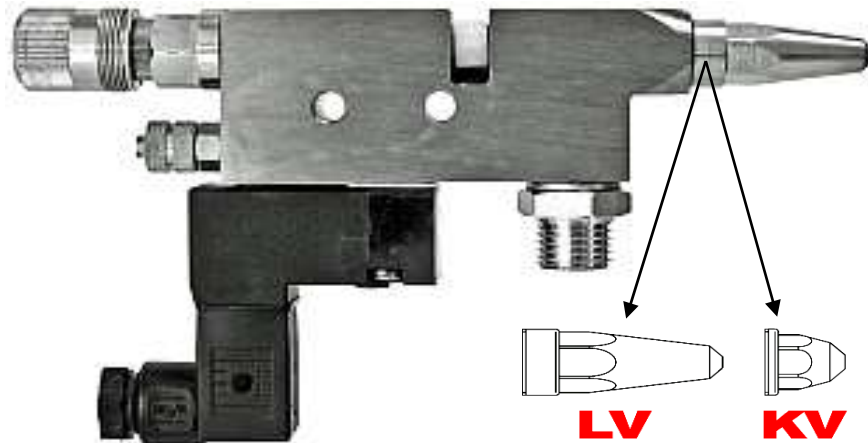


AS-18L / 5L

Producer: Alfred Schütze® GmbH (Germany)



PAKARTE LLC
 Mob. +(372) 5656 9482
 Skype: kuldar.tamm
 pakarte@pakarte.com
 Contact: Kuldar Tamm

AS-MMDV MV**TECHNICAL DATA:**

Dimensions - 142(LV)/124(KV) x 75 (with solenoid) x 15 mm

Cycles: up to 40 cycles per second

Material pressure: max. 100 bar

Solenoids: 3/2 - 24 V/DC, 110 V/AC, 230 V/AC

Control air pressure: min. 5-6 bar

Nozzles: long (LV) and short (KV)

Nozzle \varnothing : 0,2/0,3/0,4/0,5/0,6/0,7/0,8/1,0/1,2/1,5/2,0 mm

Weight: 265 gr

Nozzle: stainless steel

Needle: tungsten carbide

Gaskets: viton (other materials on request)

The very small dimensions of valves give the opportunity to install them with very low space requirements.

With the long nozzles (LV) the valves can be sloped to each other such to achieve narrow nozzle distances.

These valves are suitable for the application of glues, adhesives, oils and sealing compounds.

AS-MMKD 40



TECHNICAL DATA:

Dimensions - 162(LV)/144(KV) x 82 (with solenoid) x 15 mm

Cycles: up to 50 cycles per second

Material pressure: max. 100 bar

Solenoids: 5/2 - 24 V/DC, 110 V/AC, 230 V/AC

Control air pressure: min. 5-6 bar

Nozzles: long (LV) and short (KV)

Nozzle \varnothing : 0,2/0,3/0,4/0,5/0,6/0,7/0,8/1,0/1,2/1,5/2,0 mm

Weight: 375 gr

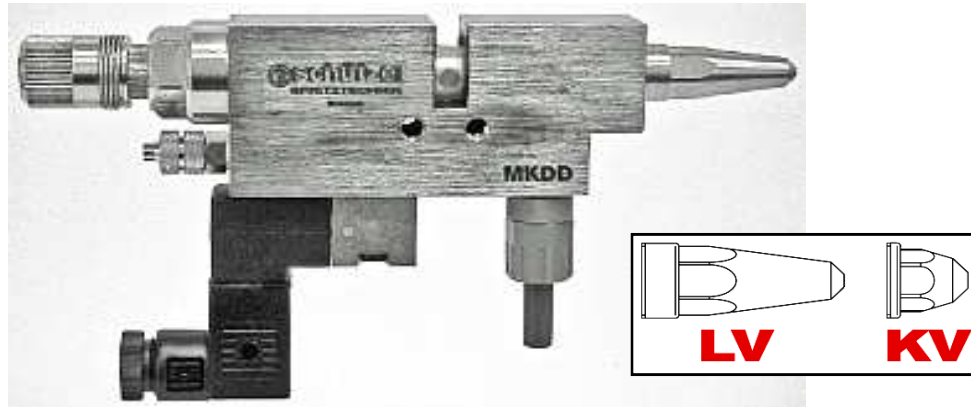
Nozzle: stainless steel

Needle: tungsten carbide

Gaskets: viton (other materials on request)

These valves are suitable for the application of glues, adhesives, oils and sealing compounds.

AS-MKDD LV / KV



TECHNICAL DATA:

Dimensions - 155(LV)/135(KV) x 80 (with solenoid) x 22 mm

Cycles: up to 40 cycles per second

Material pressure: max. 35 bar

Solenoids: 3/2 - 24 V/DC, 110 V/AC, 230 V/AC

Control air pressure: min. 5-6 bar

Nozzles: long (LV) and short (KV), with adapter different (VD)

Nozzle ϕ : 0,2/0,3/0,4/0,5/0,6/0,7/0,8/1,0/1,2/1,5/2,0/2,5 mm

Weight: 523 gr

Nozzle: stainless steel

Needle: tungsten carbide

Gaskets: viton (other materials on request)

These valves are suitable for the application of glues, adhesives, oils and sealing compounds.

AS-MMDD LV / KV



TECHNICAL DATA:

Dimensions - 115(LV)/97(KV) x 71 (with solenoid) x 15 mm

Cycles: up to 40 cycles per second

Material pressure: max. 10 bar

Solenoids: 3/2 - 24 V/DC, 110 V/AC, 230 V/AC

Control air pressure: min. 5-6 bar

Nozzles: long (LV) and short (KV)

Nozzle \varnothing : 0,2/0,3/0,4/0,5/0,6/0,7/0,8/1,0/1,2/1,5/2,0 mm

Weight: 240 gr

Needle: tungsten carbide

Gaskets: viton (other materials on request)

The very small dimensions of valves give the opportunity to install them with very low space requirements.

With the long nozzles (LV) the valves can be sloped to each other such to achieve narrow nozzle distances.

These valves are suitable for the application of glues, adhesives, oils and sealing compounds.

AS-MMKD 50 LV/KV



TECHNICAL DATA:

Dimensions - 142(LV)/124(KV) x 75 (with solenoid) x 15 mm

Cycles: up to 40 cycles per second

Material pressure: max. 100 bar

Solenoids: 3/2 - 24 V/DC, 110 V/AC, 230 V/AC

Control air pressure: min. 5-6 bar

Nozzles: long (LV) and short (KV)

Nozzle \varnothing : 0,2/0,3/0,4/0,5/0,6/0,7/0,8/1,0/1,2/1,5/2,0 mm

Weight: 265 gr

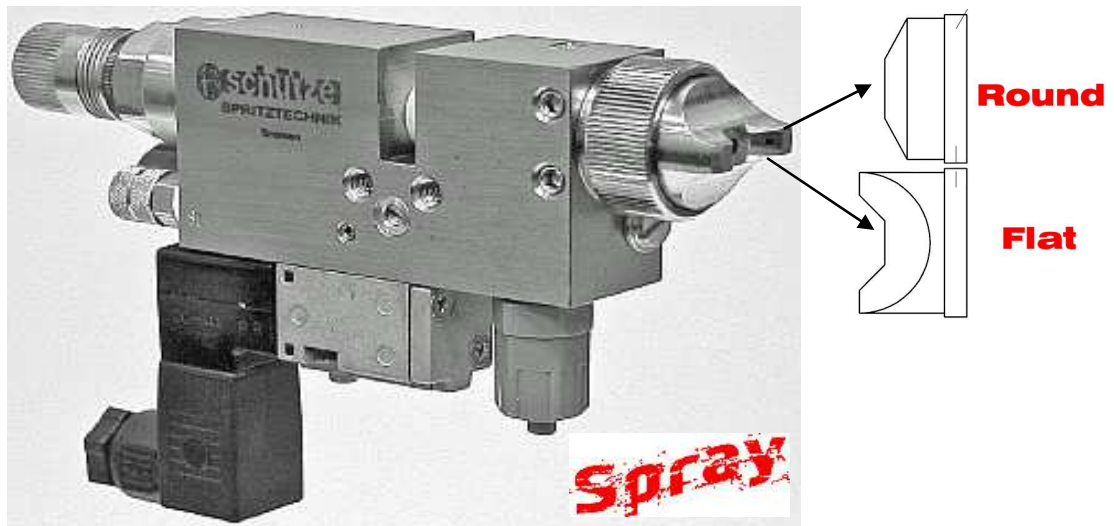
Needle: tungsten carbide

Gaskets: viton (other materials on request)

With the long nozzles (LV) the valves can be sloped to each other such to achieve narrow nozzle distances.

These valves are suitable for the application of glues, adhesives, oils and sealing compounds.

AS-SPRAY-MKDD-IS / -S



TECHNICAL DATA:

Dimensions - 130(Flat)/127(Round) x 80 (with solenoid) x 22 mm

Cycles: up to 40 cycles per second

Material pressure: max. 35 bar

Solenoids: 5/2 - 24 V/DC, 110 V/AC, 230 V/AC

Control air pressure: min. 5-6 bar

Nozzles: IS = flat- (pic) and S = round, stainless steel

Nozzle ϕ : 0,3/0,5/0,8/1,0/1,2/1,5/2,0 mm

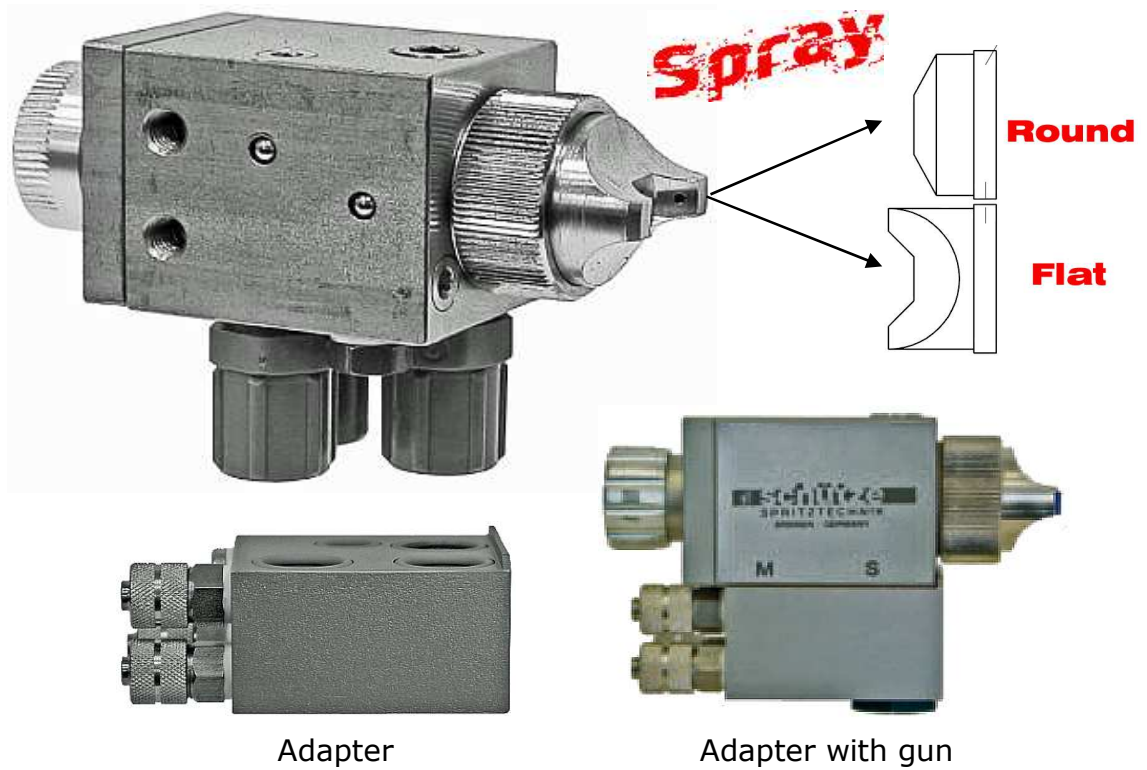
Weight: 525 gr

Needle: tungsten carbide

Gaskets: viton (other materials on request)

These valves are suitable for the application of glues, adhesives, oils and sealing compounds.

AS-ASV AND ADAPTER (option)



TECHNICAL DATA:

Dimensions - 72.5(Flat)/69(Round) x 50 (without solenoid) x 45 mm

Cycles: up to 40 cycles per second

Material pressure: max. 10 bar

Solenoid - combined system

Control air pressure: min. 5-6 bar

Nozzles: Flat 60° / 90° / Round 15°, stainless steel

Nozzle ϕ : 0,2/0,3/0,5/0,8/1,0/1,2/1,5/2,0/2,5 mm

Weight: 305 gr

Needle: stainless steel

Gaskets: viton (other materials on request)

ASV-valves are suitable for the application of glues, adhesives, oils and sealing compounds.

AS-KA-2 AND CLAMB (option)



SPRAY

**Flat 60° / 90°
Round 15°**



+



=



TECHNICAL DATA:

Dimensions - 42(flat)/39(round) x 25 x 25 mm

Material pressure max. 3 bar

Solenoid - combined system

Control air pressure 3-6 bar

Weight: 140 gr / 190 gr (with clamb)

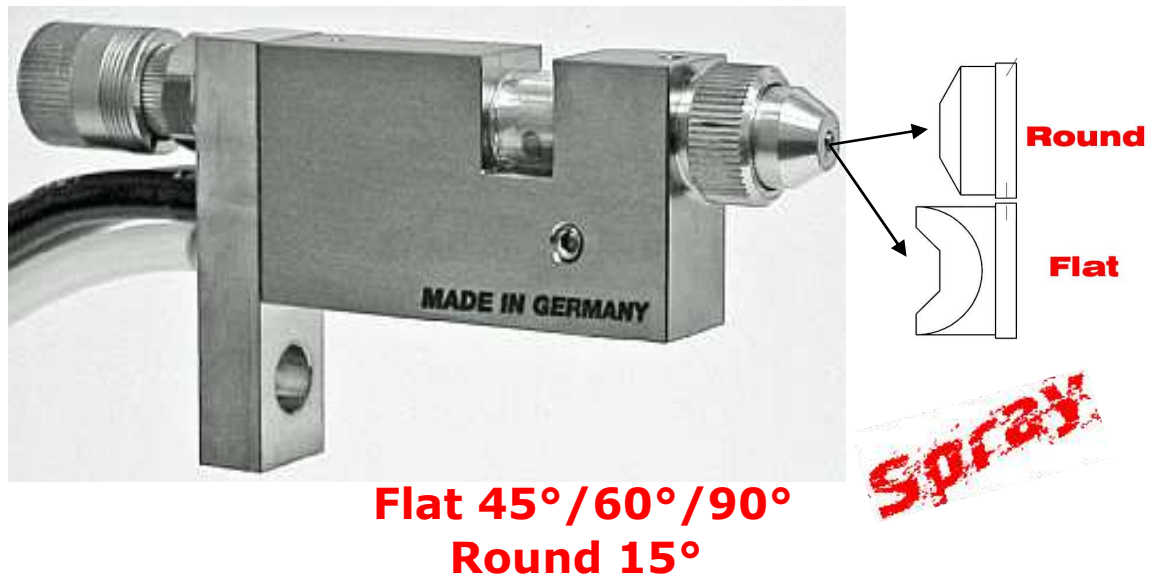
Nozzles ϕ : 0,2/0,3/0,5/0,8/1,0/1,2/1,5 mm

Gun body, nozzle and needle: stainless steel

Gaskets: "viton" (standard)

AS-KA2-valves are suitable for the application of glues,
adhesives, oils and sealing compounds.

AS-SPRAY-GUN MFS



TECHNICAL DATA:

Dimensions - 125.5(Flat)/122(Round) x 35 (without plate) x 22 mm

Cycles: up to 40 cycles per second

Material pressure: max. 6 bar

Solenoid - combined system

Control air pressure: min. 5-6 bar

Nozzles: Flat 60° / 90° / Round 15°, stainless steel

Nozzle \varnothing : 0,2/0,3/0,5/0,8/1,0/1,2/1,5/2,0/2,5 mm

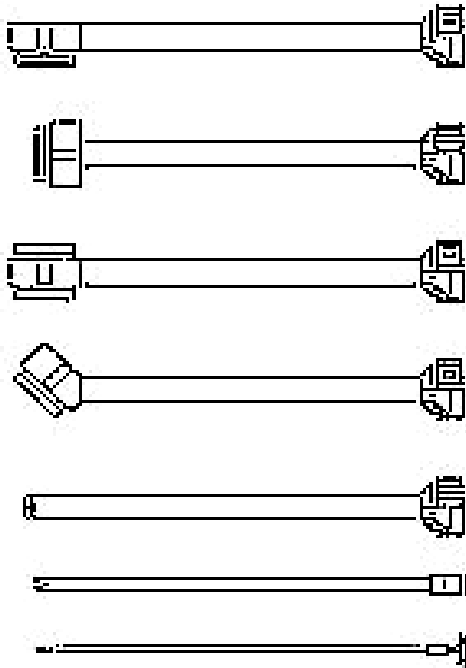
Weight: 470 gr

Needle: stainless steel

Gaskets: viton (other materials on request)

MFS-valves are suitable for the application of glues, adhesives, oils and sealing compounds.

AS-MFS/KA2 EXTENSIONS (option for spray-guns)



TECHNICAL DATA:

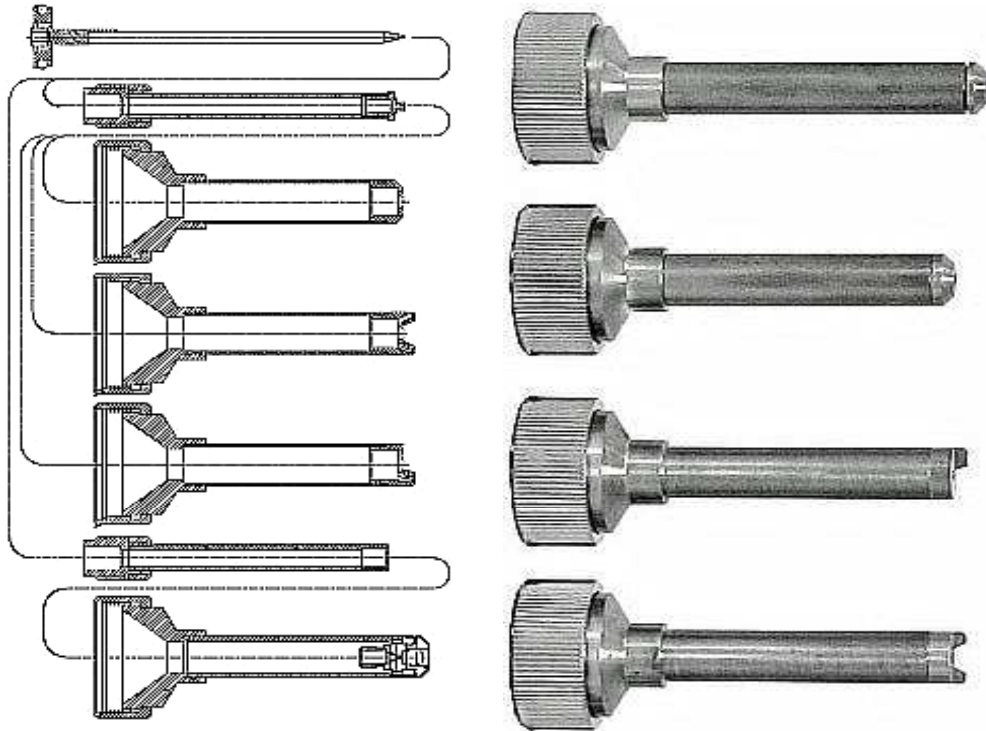
Model V-A: spray 90°/2x90°/45°

Model V-G: 0°

Model D-8/V-R: 360° (holes inside)

Standard lengths: 200, 300, 400, 500, 600 mm

AS-MFS/KA2 D8-EXTENSIONS (option for spray-guns)



TECHNICAL DATA:

Model D-8/V-A: 90°/2x90°/45°

Model D-8/V-G: 0°

Model D-8/V-R: 360° (holes inside)

Standard lengths: 150, 200, 300 mm

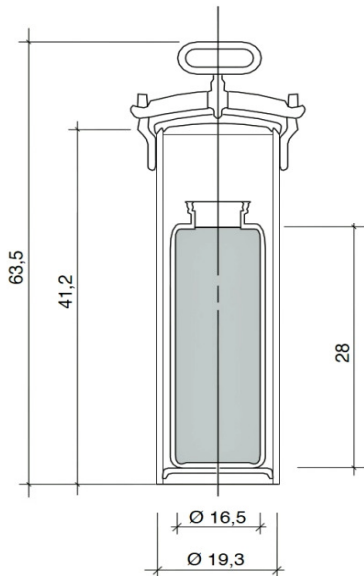
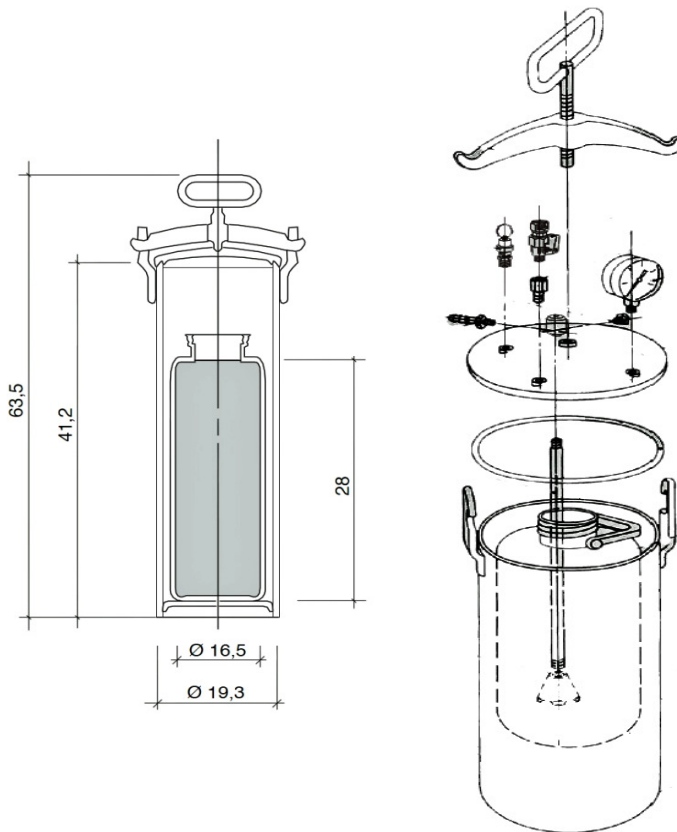
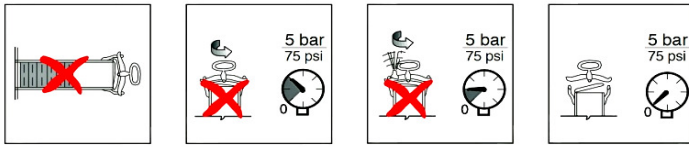
ZTSUR18



18 L
Max 3 bar / 44 psi
6 000 - 12 000 mPas / 20°C
23 x 23 x 60 h

PAKARTE OÜ
Phone +(372) 6563 312
Fax +(372) 6563 314
Mob +(372) 56 569 482
pakarte@pakarte.com

PZ9000



8 kg / 5 L
Max 5 bar / 75 psi
6 000 - 12 000 mPas / 20°C
20 x 20 x 65 h



PAKARTE OÜ
 Phone +(372) 6563 312
 Fax +(372) 6563 314
 Mob +(372) 56 569 482
 pakarte@pakarte.com