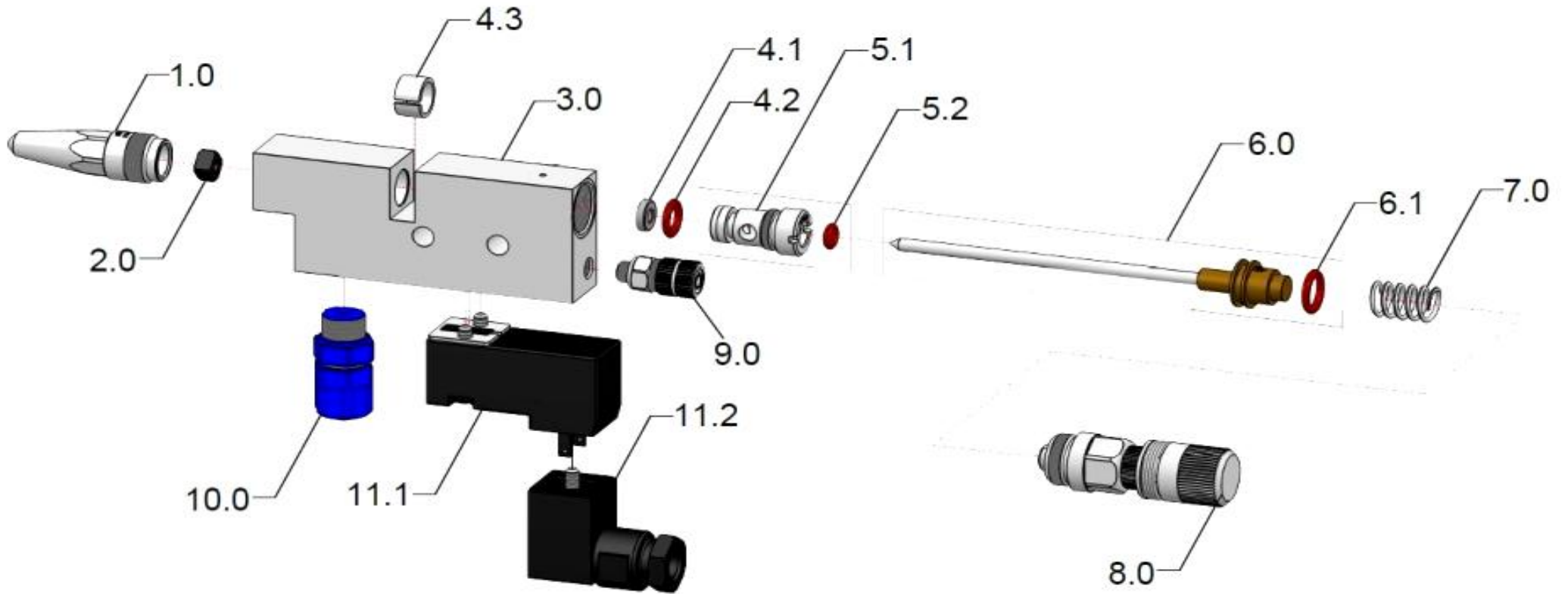


 **MMDV/MV KV/LV**



3.5 Spare parts list

Drg. no.	Item no.	Units	Description
1.0	*	1	Nozzle
2.0	320005	1	Needle guide, AF size 6 x 4 mm, PTFE/carbon (optional)
3.0	510036	1	Main body, MMDV/MV, complete, with sealing screws
3.0	511690	1	Main body, MMDV/MV, VA, complete, with sealing screws
3.0	510939	1	Main body, MMDV/MV/MU, complete, with sealing screws
4.0	640102	1	Material sealing set MKDD/MMDV/MMDD/MMKD40/S830
4.1	640004	1	Variseal 2.65 x 2.0 x 2.8
4.2	640021	1	O-ring 6.07 x 1.78 / Viton®
4.3	640101	1	Protective plastic sleeve, dia. 10 x 6 mm
5.0	810014	1	Sealing screw, complete, 11.5 x 21 mm, Viton®
5.1	810013	1	Sealing screw, dia. 11.5 x 21 mm
5.2	640026	1	O-ring 2.90 x 1.78 / Viton®
6.0	*	1	Nozzle needle, complete
6.1	640001	1	O-ring 7.65 x 1.78 / Viton®
7.0	820024 820176	1	Pressure spring, 1.2 x 21.5 mm Pressure spring, 1.25 x 22.0 mm
8.0	*	1	Needle lock
9.0	220089	1	Screwed connection, complete, AF size 8 x 19 mm
10.0	220022	1	Straight screw-in connection 1/8" – 6/4 KU (plastic)
11.0	150104	1	Solenoid valve 3/2-way, 24 V/DC/2 W, with plug
11.1	150103	1	Solenoid valve, 3/2-way/24 V/DC/2 W
11.2	150013	1	Device socket, 15 x 15 mm, 3-pin

Other seal materials available on request.

* Item numbers may be found in chapter 8.0 "Spare parts and accessories"